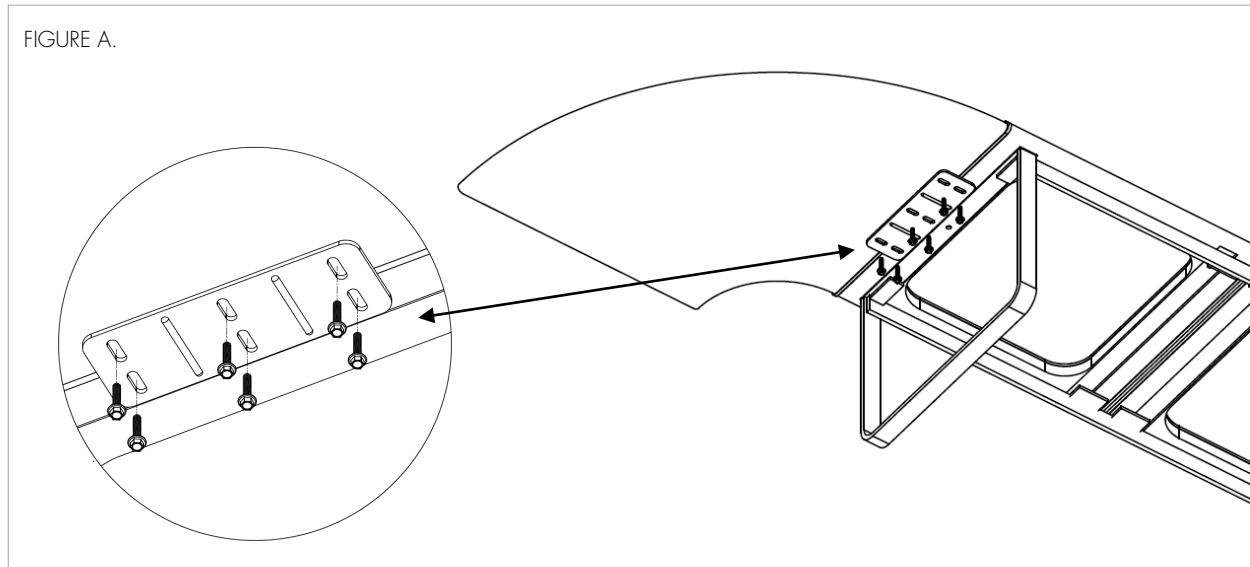


## FLIPSIDE GANGING BRACKET INSTALLATION

Step 1: Align seating and/or table units with the ganging bracket.

Step 2: Secure the bracket to both units with the six hex bolts provided (Figure A).



If you require additional assistance, please contact Arcadia Client Services at 800.585.5957.