

FLIPSIDE END TABLE INSTALLATION INSTRUCTIONS

Step 1: Affix the two connecting brackets to the side of the unit with the end table. There are four hex bolts per bracket (Figure A).

Step 2: Align and secure the end table to the connecting brackets with the hex bolts. Requires four bolts per bracket (Figure B).

FIGURE A.

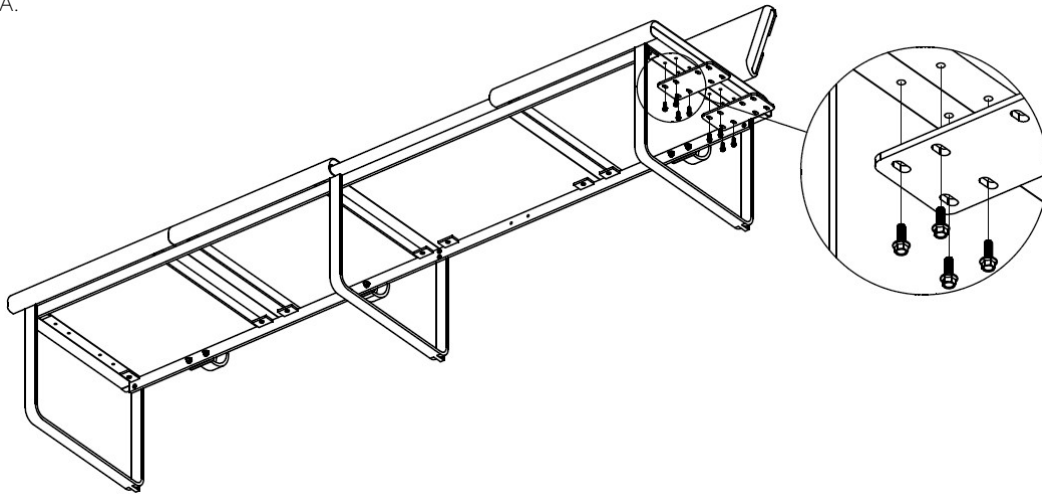
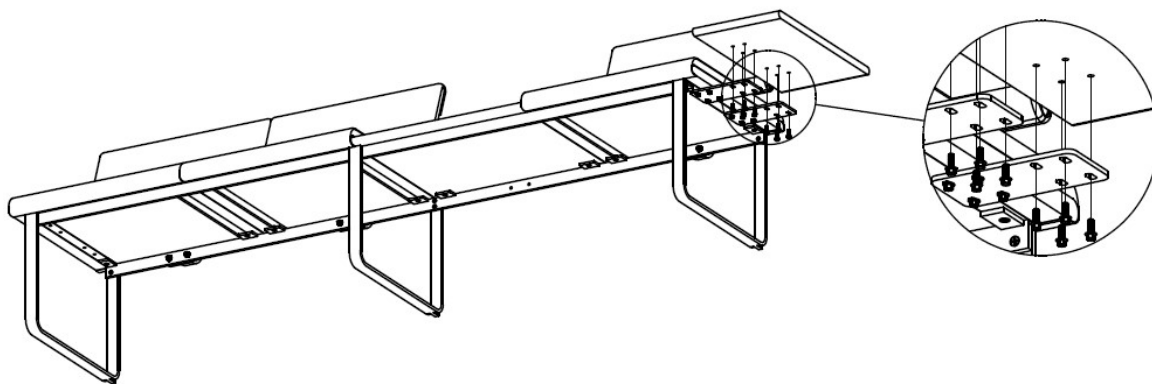


FIGURE B.



If you require additional assistance, please contact Arcadia Client Services at 800.585.5957.