

FLIPSIDE CONNECTING TABLE INSTALLATION INSTRUCTIONS

Step 1: Affix the bracket to the side of one of the units with the connecting table. It should be centered and secured with two hex bolts, one in each corner of the bracket (Figure A). ****Note: apply this step to the other unit that connects with the table.****

Step 2: Align and attached the connecting table to the brackets with the hex bolts. Requires two bolts per bracket (Figure B).

FIGURE A.

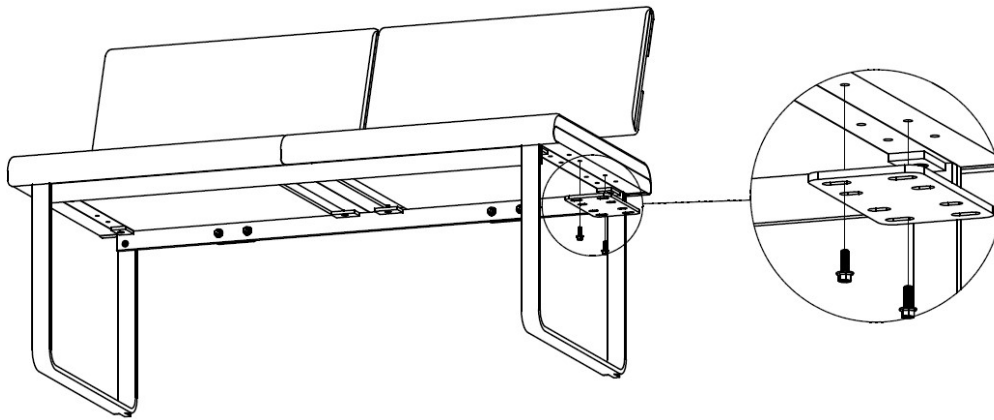
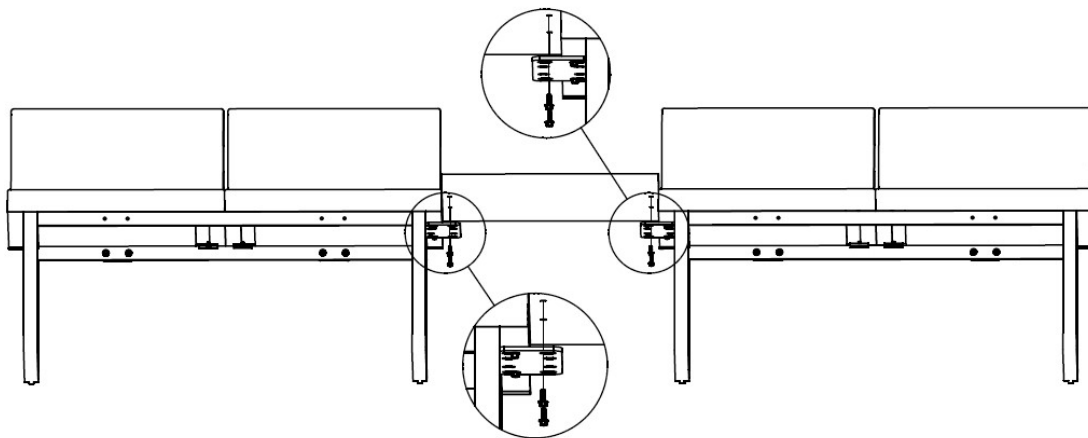


FIGURE B.



If you require additional assistance, please contact Arcadia Client Services at 800.585.5957.