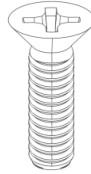


# ISO T-BRACKET ASSEMBLY INSTRUCTIONS

Hardware Included:

[A] 1/4-20 x 1" Flat head bolt (23)

[B] 1/4-20 x .25" Flat Head bolt (18)



[A]



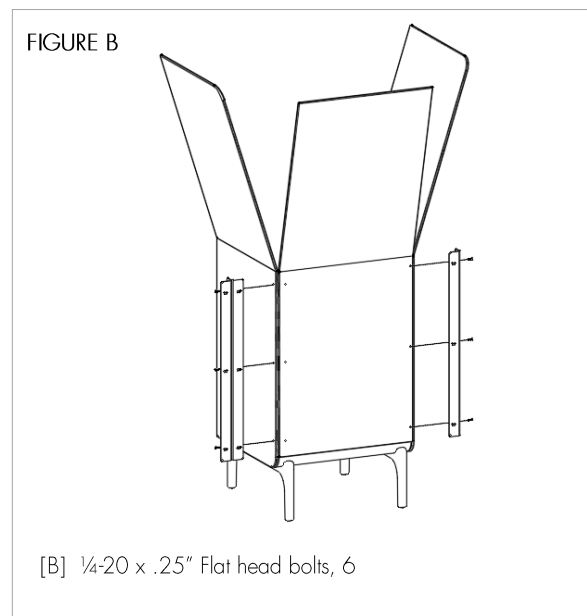
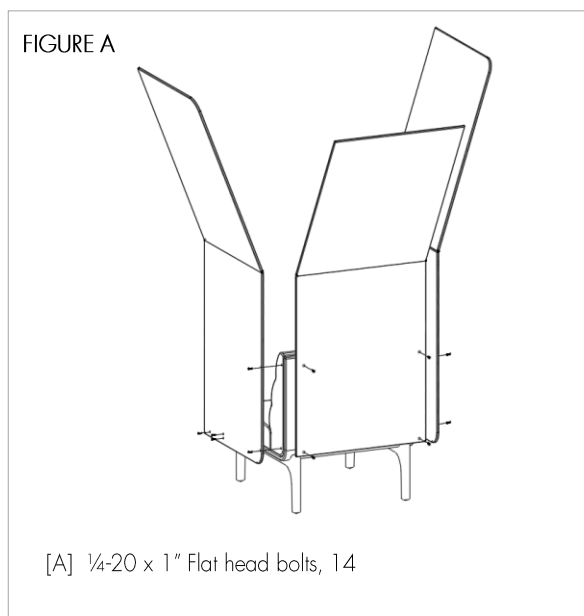
[B]

**IMPORTANT – HARDWARE IS SPECIFIC FOR THE ASSEMBLY OF EACH COMPONENT. MAKE SURE THE CORRECT ITEMS ARE USED AS DIRECTED AND IDENTIFIED BELOW.**

**\*\*UNIT REQUIRES TWO PEOPLE FOR INSTALLATION\*\***

Step 1: Open and place the back panel to align with the pre-inserted nuts and secure it with (4) 1/4-20 x 1" Flat head bolts [A]. Open and place each side panel to align with the pre-inserted nuts and secure them with (5) 1/4-20 x 1" Flat head bolts [A] per side panel (Figure A).

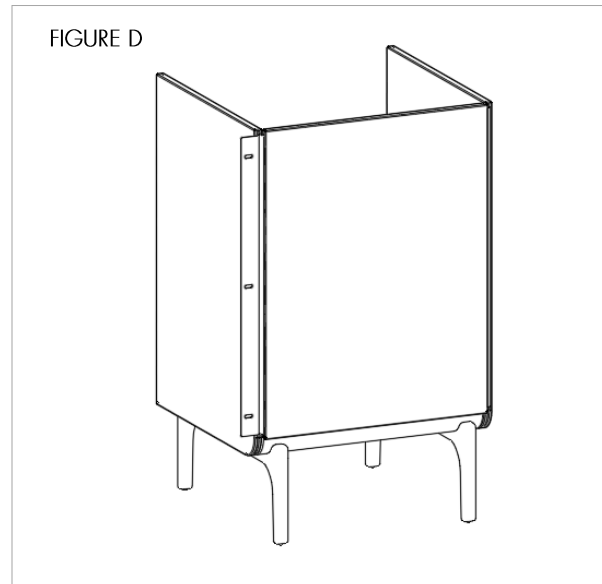
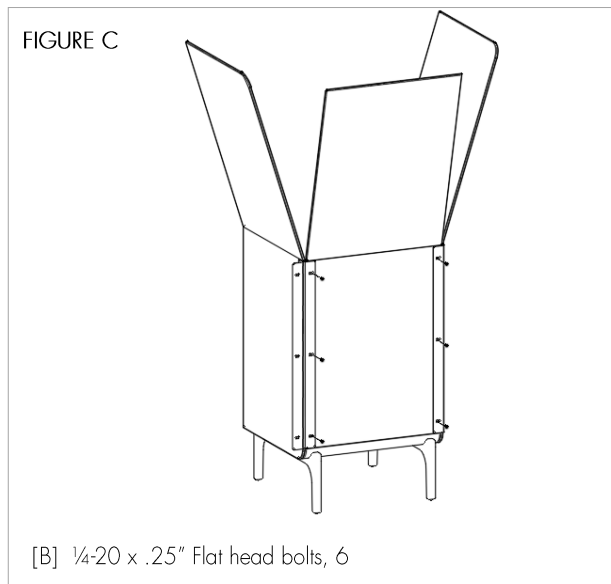
Step 2: Align and secure the corner bracket to the right side panel and the T-bracket to the left side panel with (6) 1/4-20 x .25" Flat head bolts [B] into the pre-inserted nuts (Figure B).



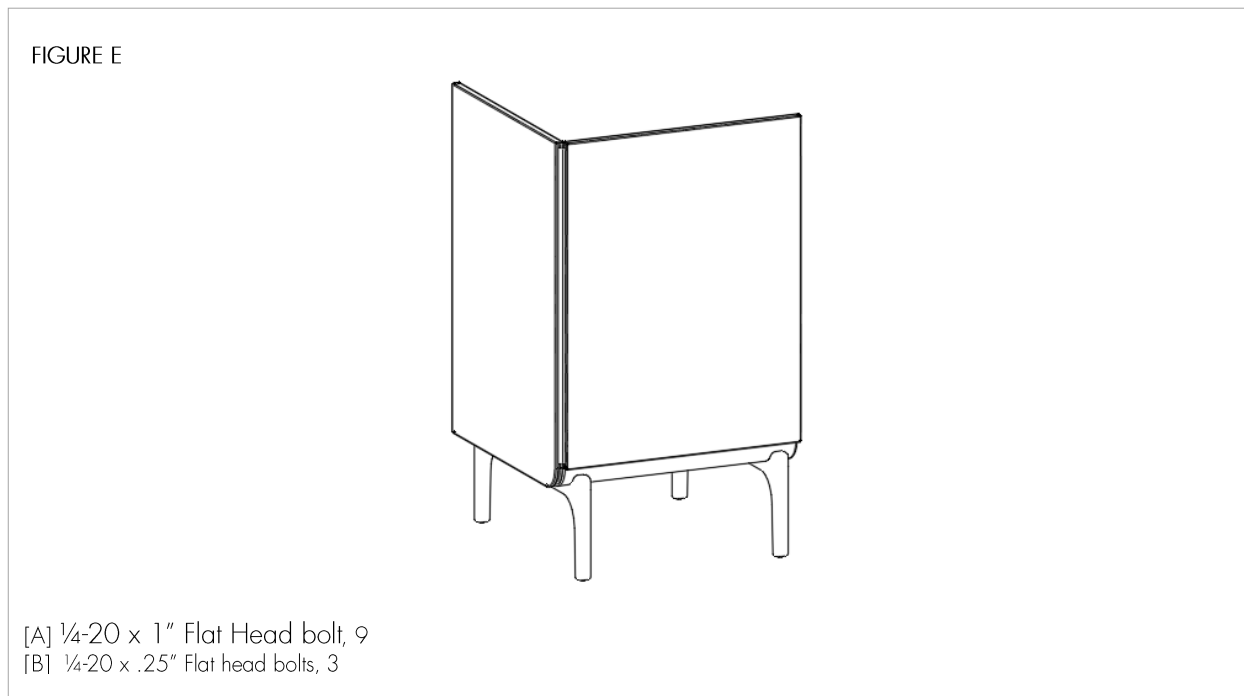
continued on next page

Step 3: Secure each bracket to the back panel with (6) ¼-20 x .25" Flat head bolts [B] into the pre-inserted nuts (Figure C).

Step 4: Once the panels have been properly secured, they can be closed (Figure D).



Step 5: Add a back and left panel to a secondary unit (Figure E).

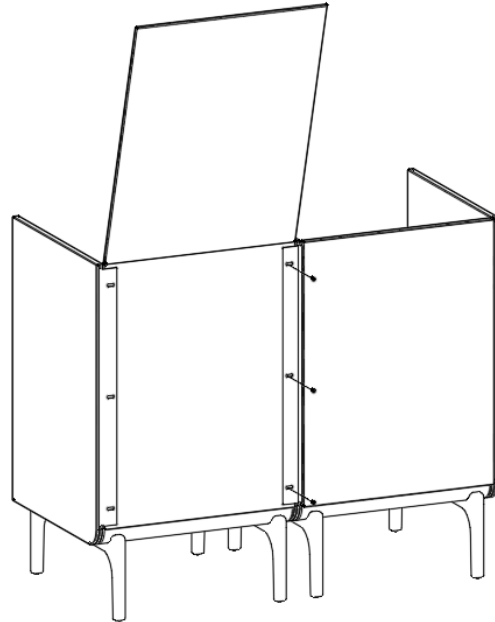


continued on next page

Step 6: Open the back panel of the secondary unit the T-bracket will attach to. Line up both units so the bracket aligns with the pre-inserted nuts on the other panel and secure it with (3) ¼-20 x .25" Flat Head bolt [B] (Figure F).

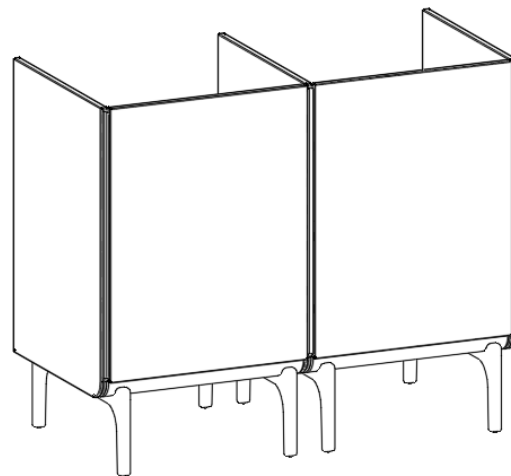
Step 7: Once the panel has been properly secured, it can be closed (Figure G).

FIGURE F



[B] ¼-20 x .25" Flat Head bolt, 3

FIGURE G



If you require additional assistance, please contact Arcadia Client Services at 800.585.5957.