

# ISO STRAIGHT BRACKET ASSEMBLY INSTRUCTIONS

Hardware Included:

[A] 1/4-20 x .25" Flat Head bolt (6)

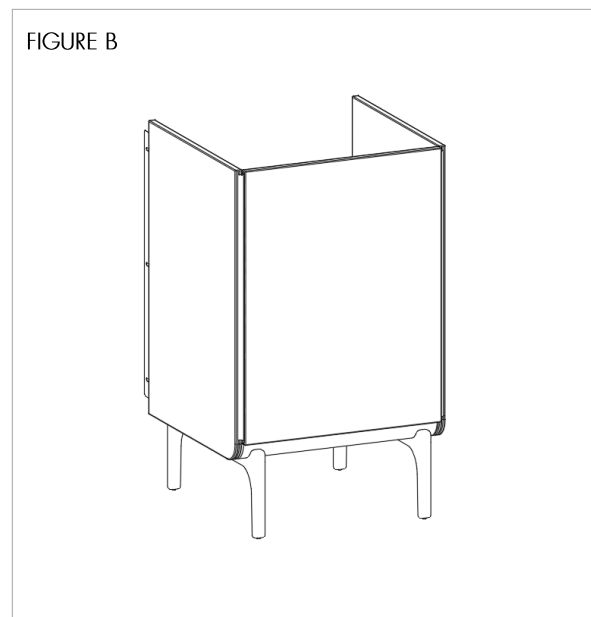
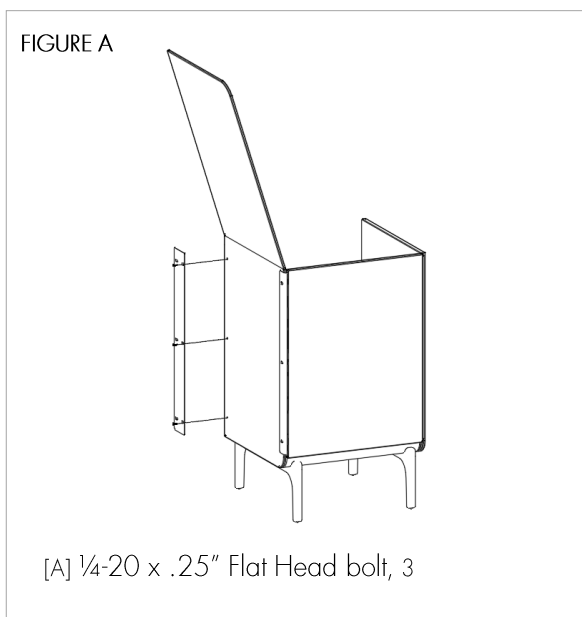


[A]

**\*\*UNIT REQUIRES TWO PEOPLE FOR INSTALLATION\*\***

Step 1: Open the side panel where the straight bracket will attach. Align the bracket with the pre-inserted nuts and secure it with (3) 1/4-20 x .25" Flat Head bolt [A] (Figure A).

Step 2: Once the bracket is secured, the panel can be closed (Figure B).

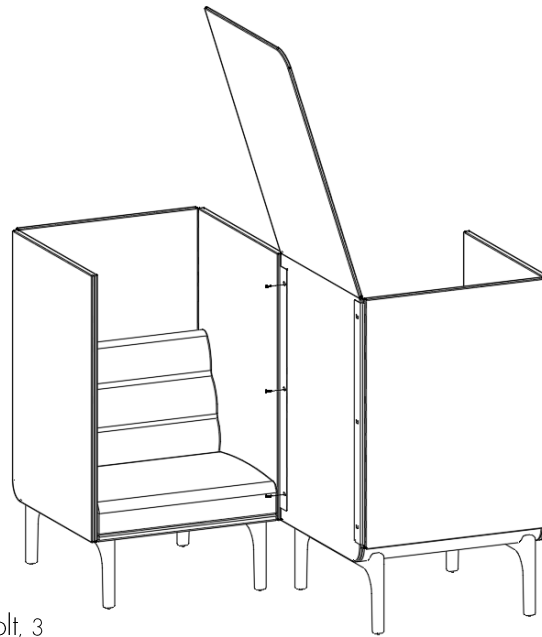


continued on next page

Step 3: Open second panel the bracket will attach. Line up both units so the bracket aligns with the pre-inserted nuts on the other panel and secure it with (3) ¼-20 x .25" Flat Head bolt [A] (Figure C).

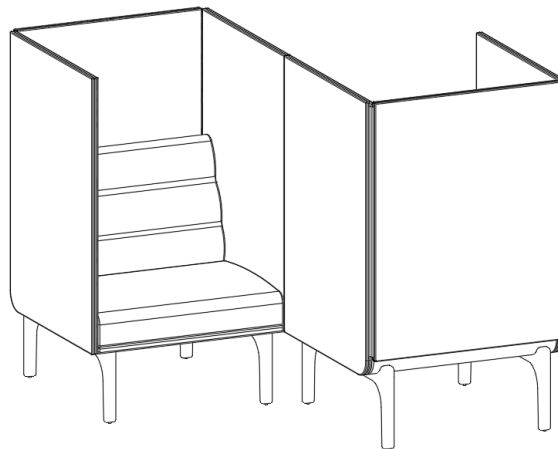
Step 4: Once the panel has been properly secured, it can be closed (Figure D).

FIGURE C



[A] ¼-20 x .25" Flat Head bolt, 3

FIGURE D



If you require additional assistance, please contact Arcadia Client Services at 800.585.5957.