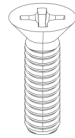


ISO PANEL ASSEMBLY INSTRUCTIONS

Hardware Included:

[A] 1/4-20 x 1" Flat head bolt (14)

[B] 1/4-20 x .25" Flat Head bolt (12)



[A]



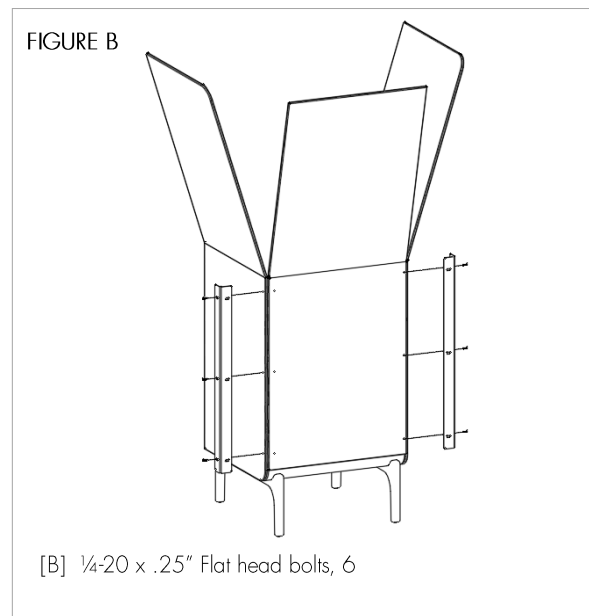
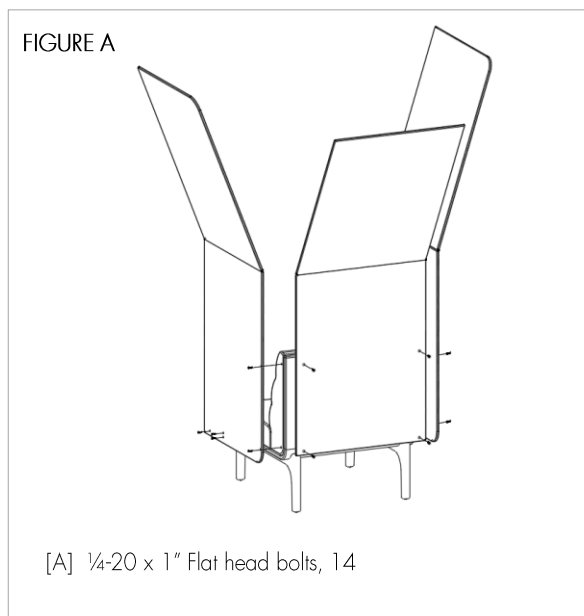
[B]

IMPORTANT – HARDWARE IS SPECIFIC FOR THE ASSEMBLY OF EACH COMPONENT. MAKE SURE THE CORRECT ITEMS ARE USED AS DIRECTED AND IDENTIFIED BELOW.

****UNIT REQUIRES TWO PEOPLE FOR INSTALLATION****

Step 1: Open and place the back panel to align with the pre-inserted nuts and secure it with (4) 1/4-20 x 1" Flat head bolts [A]. Open and place each side panel to align with the pre-inserted nuts and secure them with (5) 1/4-20 x 1" Flat head bolts [A] per side panel (Figure A).

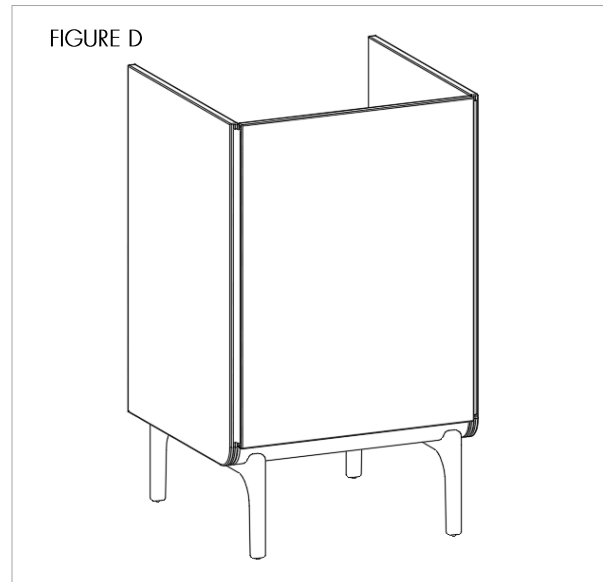
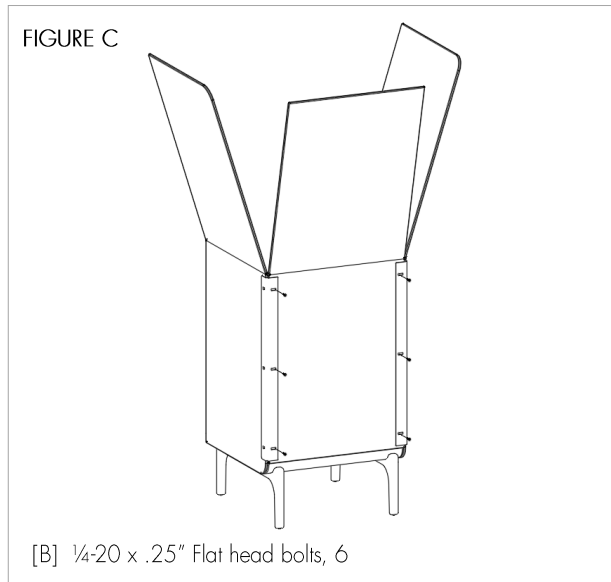
Step 2: Align and secure each corner bracket to a side panel with (3) 1/4-20 x .25" Flat head bolts [B] into the pre-inserted nuts (Figure B).



continued on next page

Step 3: Secure each corner bracket to the back panel with (6) ¼-20 x .25" Flat head bolts [B] into the pre-inserted nuts (Figure C).

Step 4: Once the panels have been properly secured, they can be closed (Figure D).



If you require additional assistance, please contact Arcadia Client Services at 800.585.5957.