

## ISO LEG ASSEMBLY INSTRUCTIONS

Hardware Included:

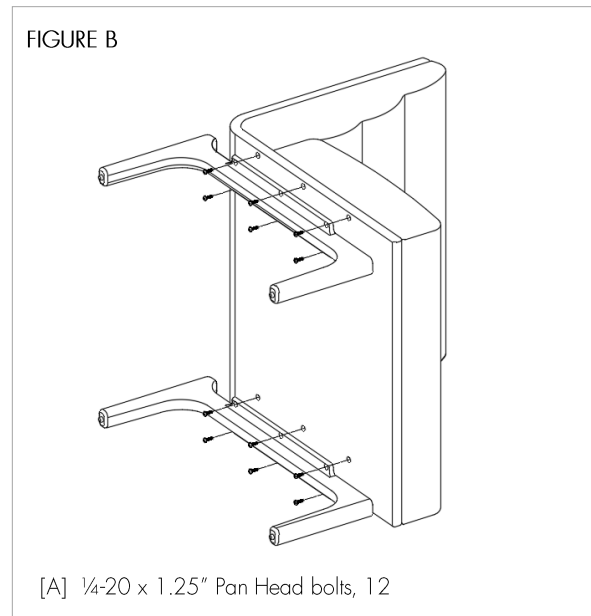
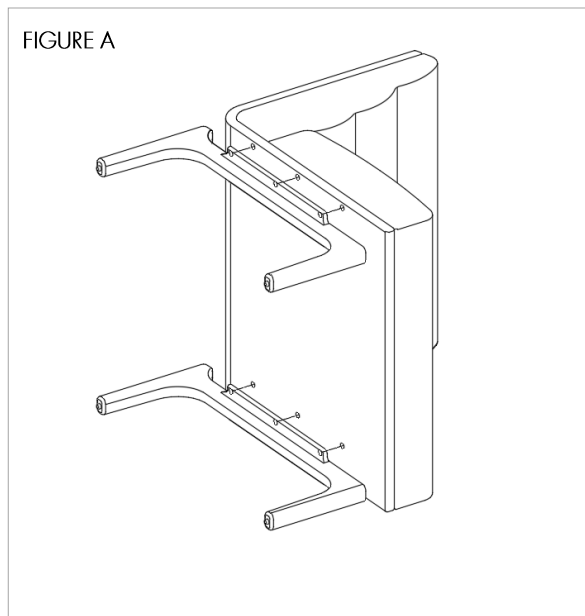
[A] 1/4-20 x 1.25" Pan Head bolt (12)



[A]

Step 1: Gently place the unit on its side and locate the holes with pre-inserted  $\dagger$ nuts where the legs will attach (Figure A).

Step 2: Attach each leg by securing with (6) 1/4-20 x 1.25" Pan Head bolts [A] into the pre-inserted  $\dagger$ nuts (Figure B).



If you require additional assistance, please contact Arcadia Client Services at 800.585.5957.