

## SCENERY GANGING BRACKET INSTALLATION

Step 1: Line up the units that will be connected together. Align holes on the ganging plate with the holes underneath the units (Figure A).

Step 2: With each bracket in place, screw in six (6) ¼-20 machine screws per bracket to secure the units together (Figure B).

FIGURE A

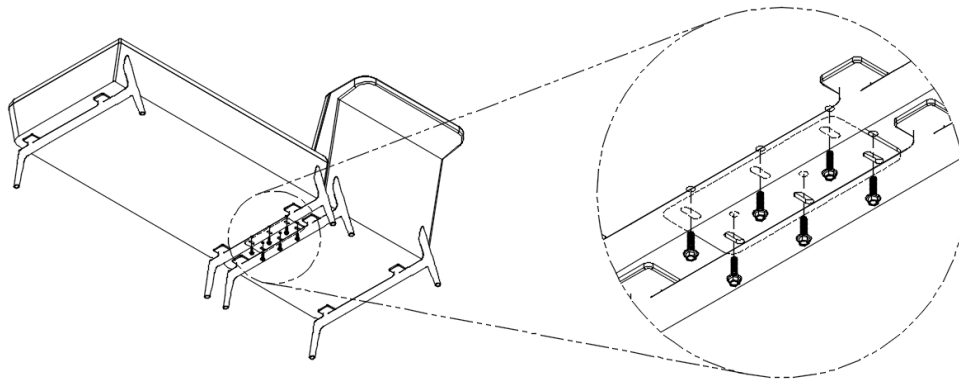
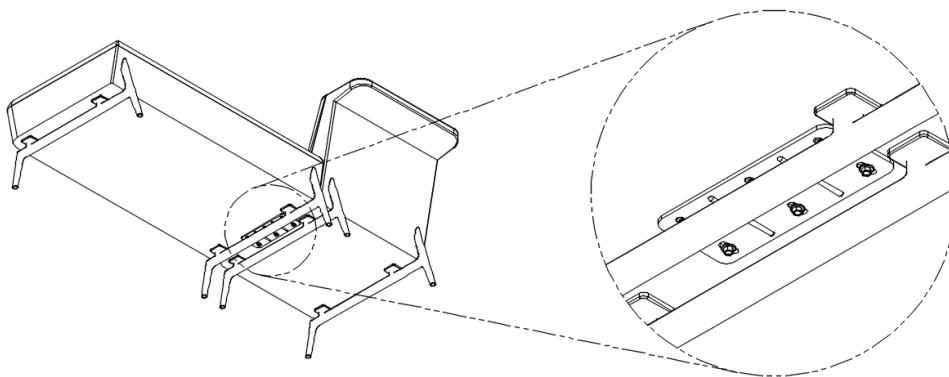


FIGURE B



Repeat this process for any additional modular units that will be connected together.

If you require additional assistance, please contact Arcadia Client Services at 800.585.5957.