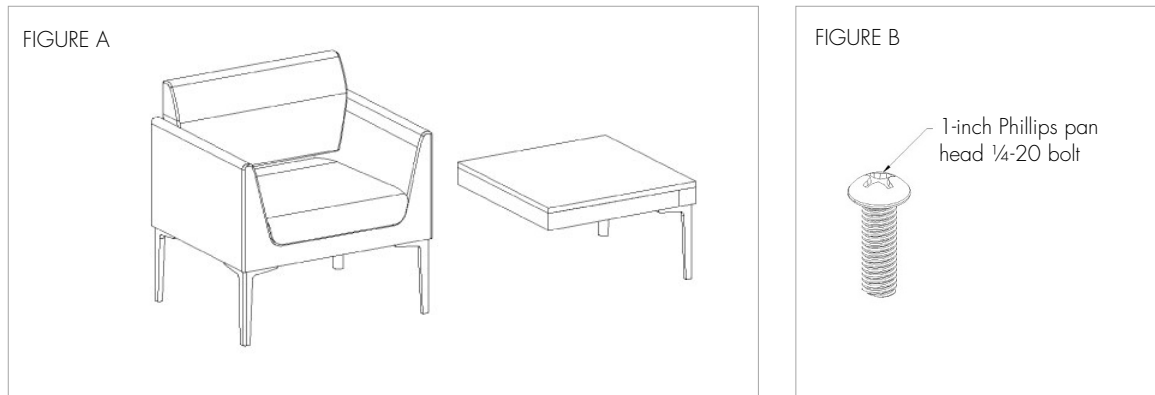
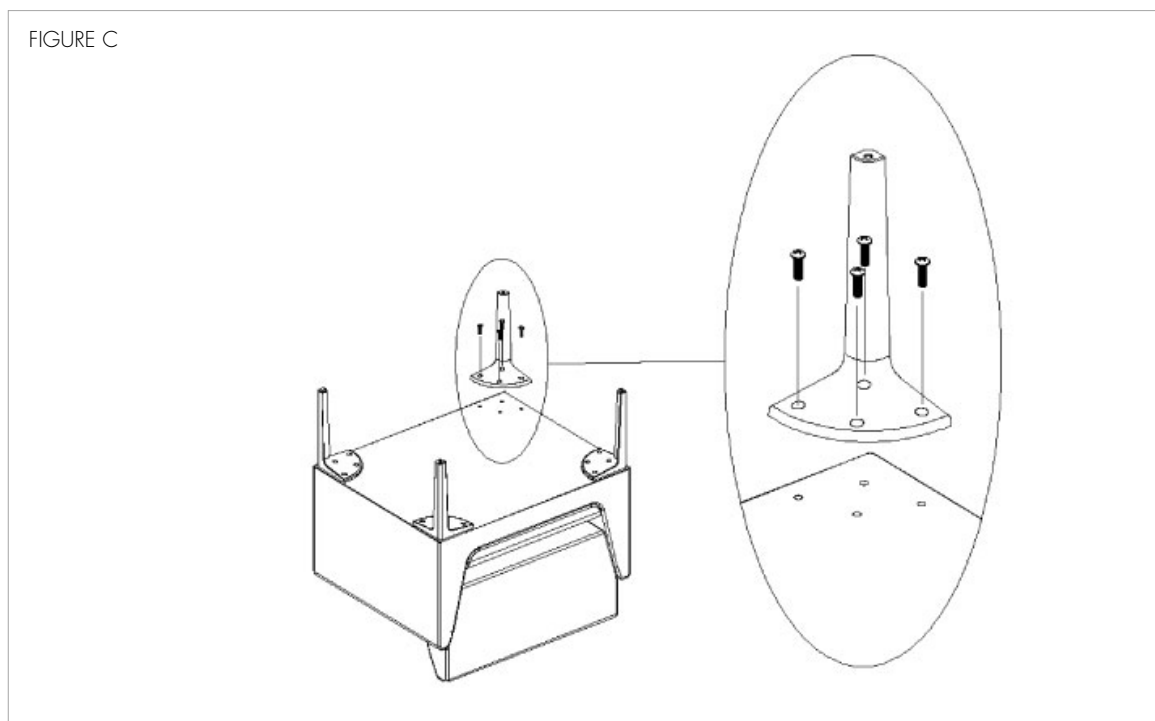


SAVINA LEG INSTALLATION

The Savina aluminum leg is standard for both tables and seating units (Figure A). In order to secure the aluminum legs in place, four 1-inch Phillips pan head 1/4-20 bolts are required per leg (Figure B).



Carefully flip the unit upside down and locate the four threaded holes in the designated area for each leg. Once located, proceed by aligning legs to the holes. With the proper tools, fasten together with the provided Phillips bolts (Figure C).



If you require additional assistance, please contact Arcadia Client Services at 800.585.5957.