

## SAVINA MODULAR GANGING BRACKET INSTALLATION

Step 1: Place the modular units next to each other and align the connecting holes underneath both units (Figure A).

Step 2: Use the six (6) bolts provided to secure the plate in between both units (Figure B).

FIGURE A

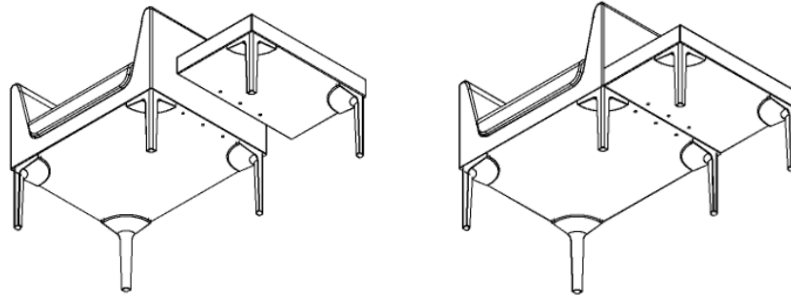
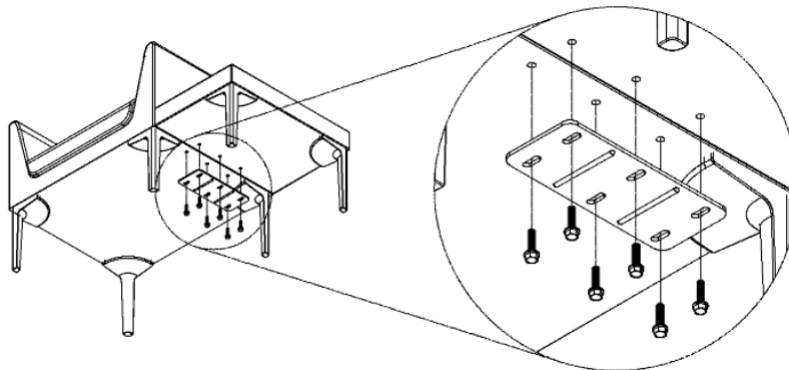


FIGURE B



Repeat this process for any additional modular units that will be connected together.

If you require additional assistance, please contact Arcadia Client Services at 800.585.5957.