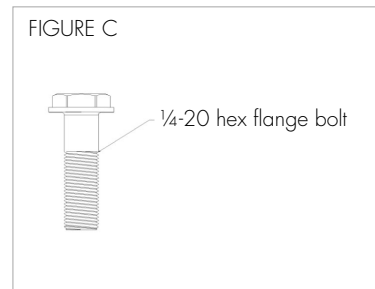
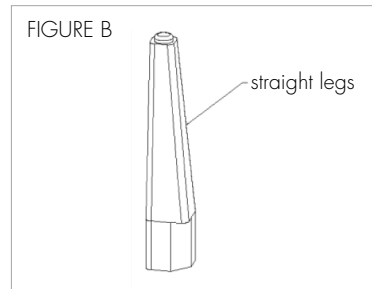
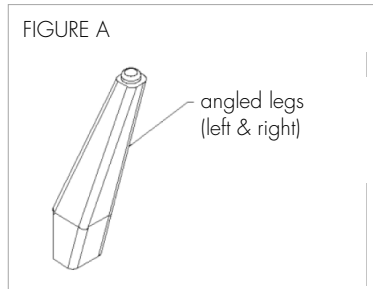
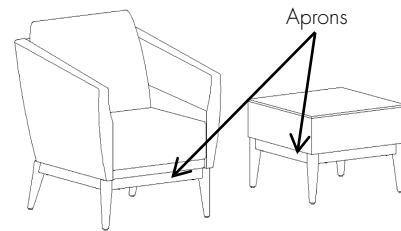


OVATE LOUNGE LEG INSTALLATION

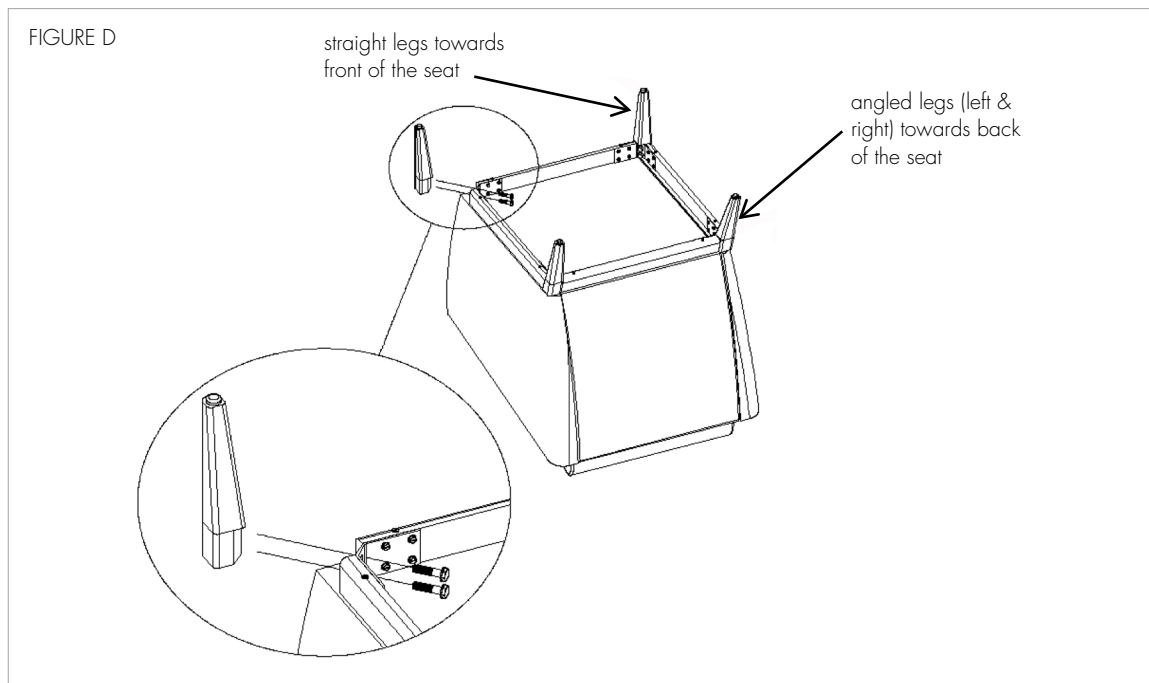
The Ovate seating units and tables will have four aprons pre-installed at the base. The leg installation process for the seating units will require two angled legs - one left and one right (Figure A). For tables, the installation will consist of four straight legs (Figure B). Hex flange 1/4-20 bolts will be required to secure the wood legs in place (Figure C).



Before installation, carefully flip the unit upside down to begin the leg installation.

IMPORTANT – seating units will have two straight legs in the front and two angled legs, one left and one right, towards the back of the unit.

Begin by aligning the leg that has the pre-drilled holes towards the angled bracket that secures the wood aprons on each corner of the unit. With the proper tool, fasten two of the provided 1/4-20 bolts through the angled bracket into the legs to secure the leg in place (Figure D). Continue the process until all legs have been installed.



If you require additional assistance, please contact Arcadia Client Services at 800.585.5957.