

NIOS GLASS TOP TABLE INSTALLATION

Components required – each of which has a numbering sequence for installation:



[A] Sub-top

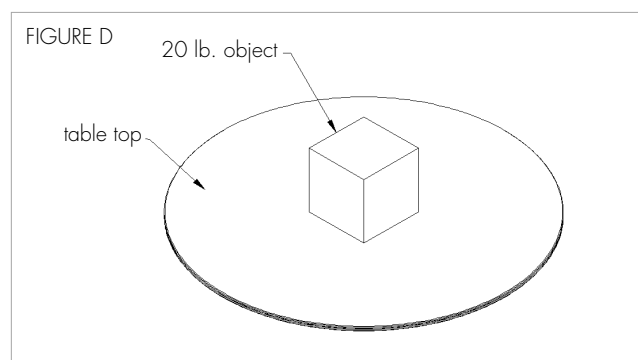
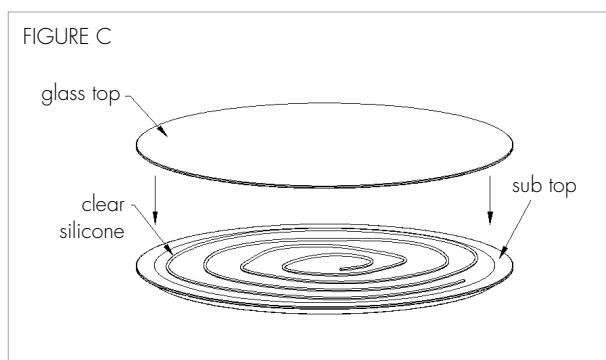
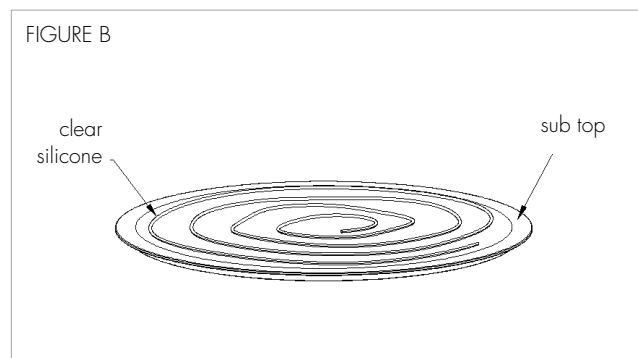
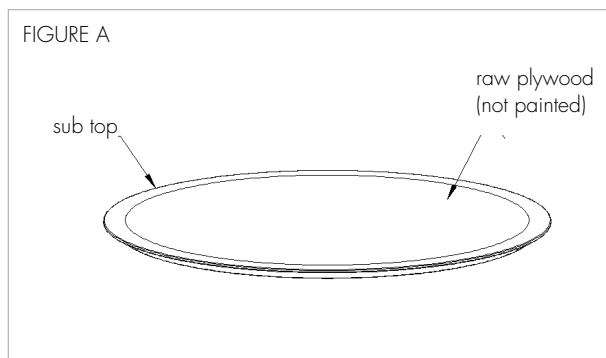


[B] Glass Top



[C] Clear Silicone

- Step 1: Use a clean rag to remove any dust, moisture or any residue from the sub-top [A] to properly seal to the glass top [B] (Figure A).
- Step 2: Apply the clear silicone [C] provided in a spiral manner and cover as much area as possible. Keep the silicone application at least 2-1/2" from the sub-top edges to avoid excess from squeezing out (Figure B).
- Step 3: Place the glass top over the sub-top and center. Push down across the glass surface to spread out the silicone evenly (Figure C).
- Step 4: In order to keep good contact between the glass top and sub-top, place an object weighing no more than 20 lbs. in the middle of the table for at least one hour. Wait at least 24-hours for complete adherence (Figure D).



If you require additional assistance, please contact Arcadia Client Services at 800.585.5957.