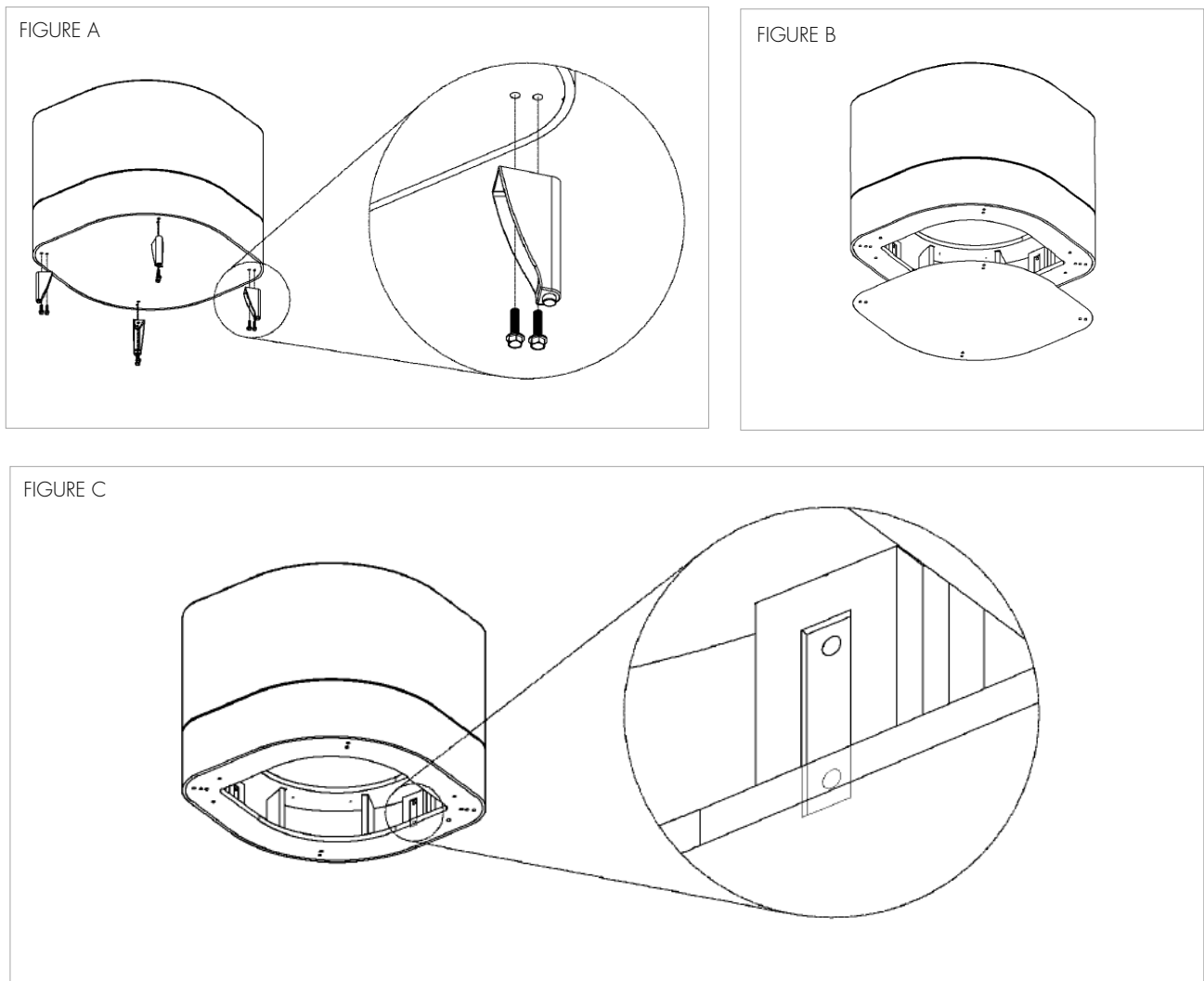


## LEAF TABLET POST INSTALLATION

Step 1: Locate the bolts inside the legs from underneath the unit and remove. There are two bolts per leg and all legs must be removed (Figure A).

Step 2: Remove the black decking from underneath the unit to access the interior (Figure B).

Step 3: Locate the tablet post block on the inside of the frame (Figure C). There will be two of these blocks inside the unit. Select the desired side to place the past and cut holes all the way through the fabric.

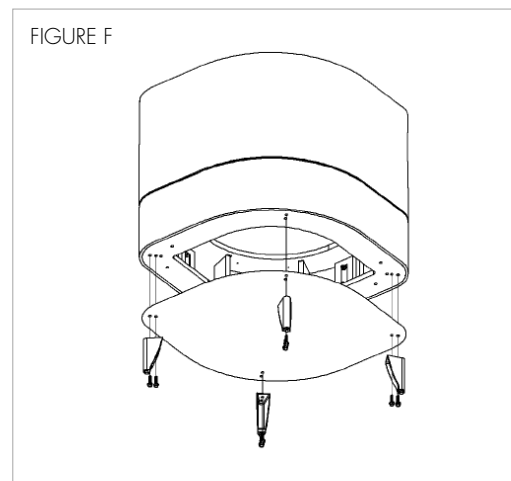
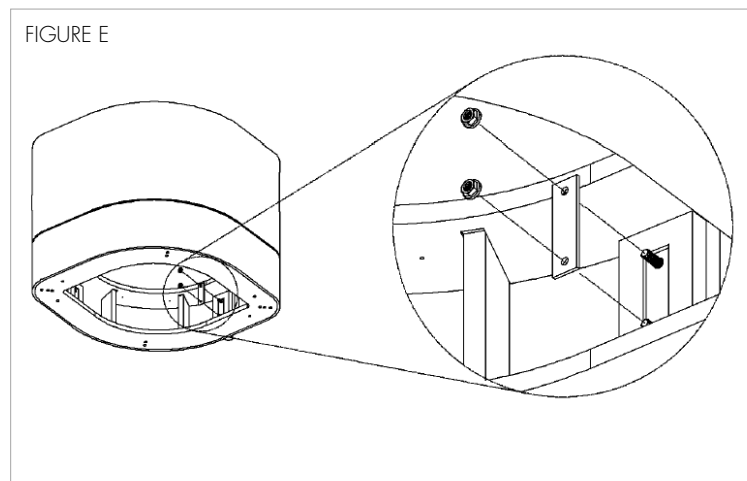
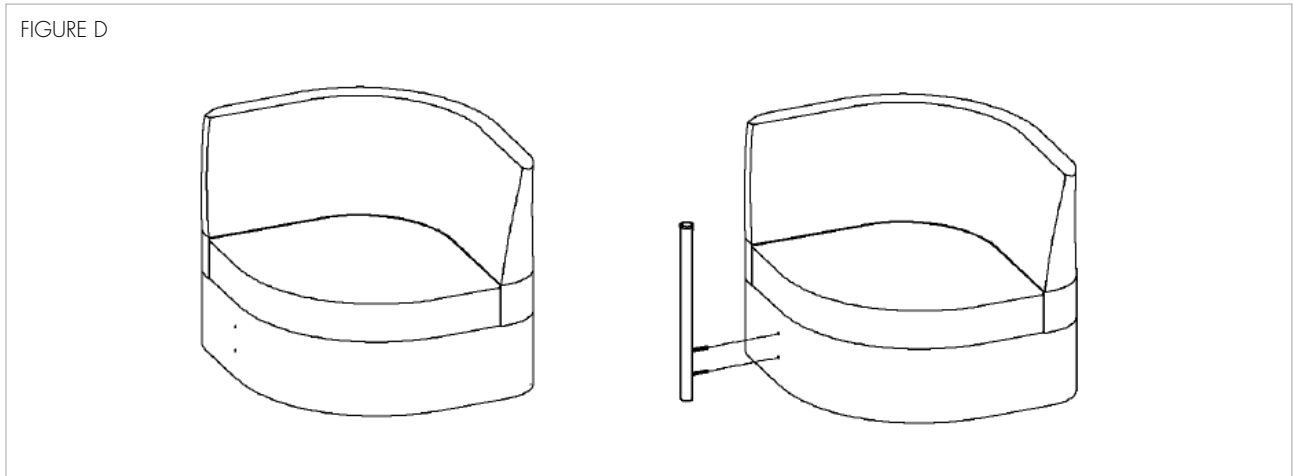


continued next page

Step 4: Insert the threads from the post through the cut holes (Figure D).

Step 5: Install the plate with the (2) nuts from the inside of the frame (Figure F).

Step 7: Replace the decking and the legs on the bottom of the unit (Figure G).



If you require additional assistance, please contact Arcadia Client Services at 800.585.5957.