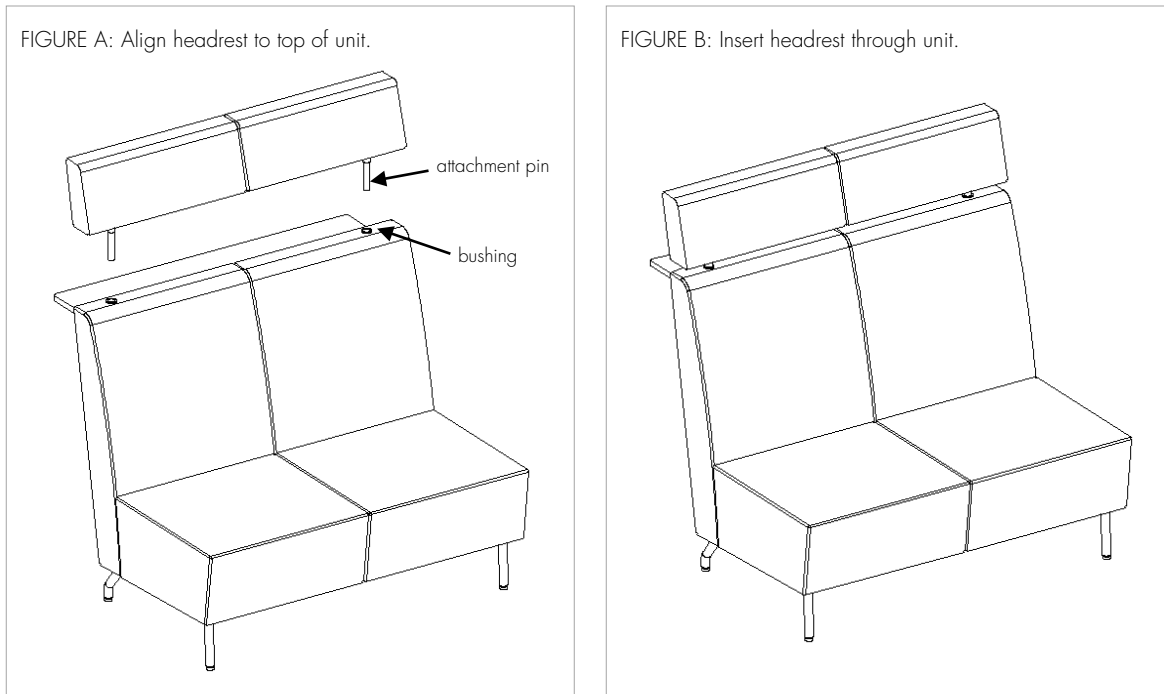


INTIMA HEADREST INSTALLATION

Step 1: Align the headrest attachment pins (which are pre-assembled into the headrest) with the bushings on top of the unit (bushings come pre-assembled with the seating unit) (Figure A).

Step 2: Insert the attachment pins of the headrest into the bushings on the seating unit and push down on the headrest (Figure B).



If you require additional assistance, please contact Arcadia Client Services at 800.585.5957.