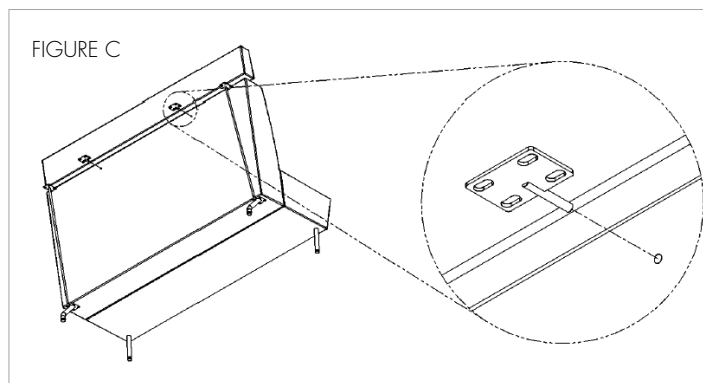
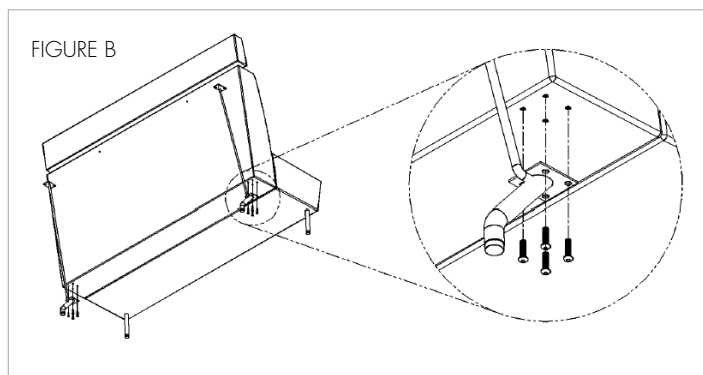
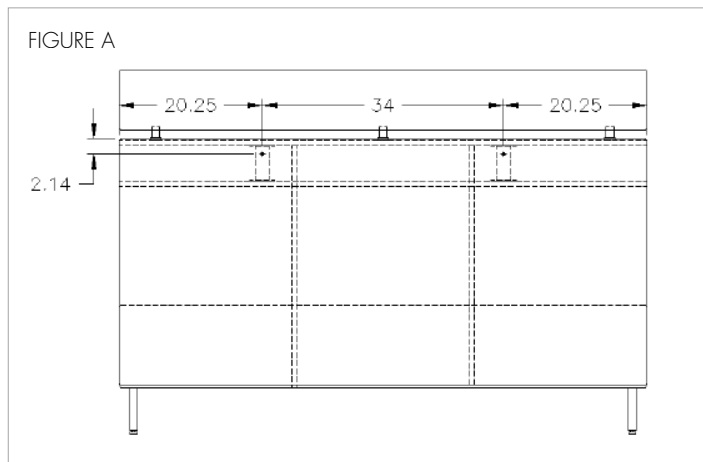


## INTIMA #4253 SHELF INSTALLATION

Step 1: If there are no hole markings on the back of the unit, use dimensions below to locate them (Figure A). There will be a metal plate with a hole to install the shelf support bracket. Once the holes on the metal plates have been located, make holes on the fabric to indicate location for the brackets.

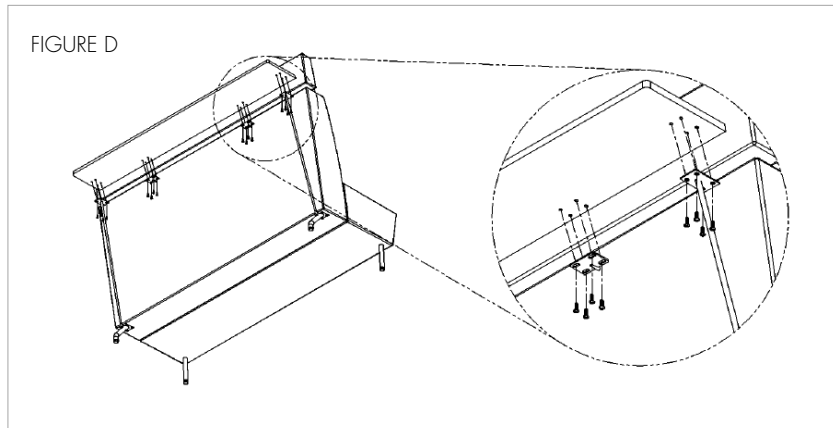
Step 2: Install the rear legs with the shelf top plates to the bottom of the unit (Figure B). Use (4) panhead button bolts on each leg.

Step 3: Install the (2) shelf support brackets to the previously marked holes on the back (Figure C).



continued next page

Step 4: Install the shelf over the top plates, lining up the holes of the shelf to the holes of the top plates (Figure D). The shelf support brackets may need to be adjusted to line up properly. Be sure the shelf is pressed firmly against the back of the unit. Each top plate will use (4) bolts to secure the shelf.



If you require additional assistance, please contact Arcadia Client Services at 800.585.5957.