

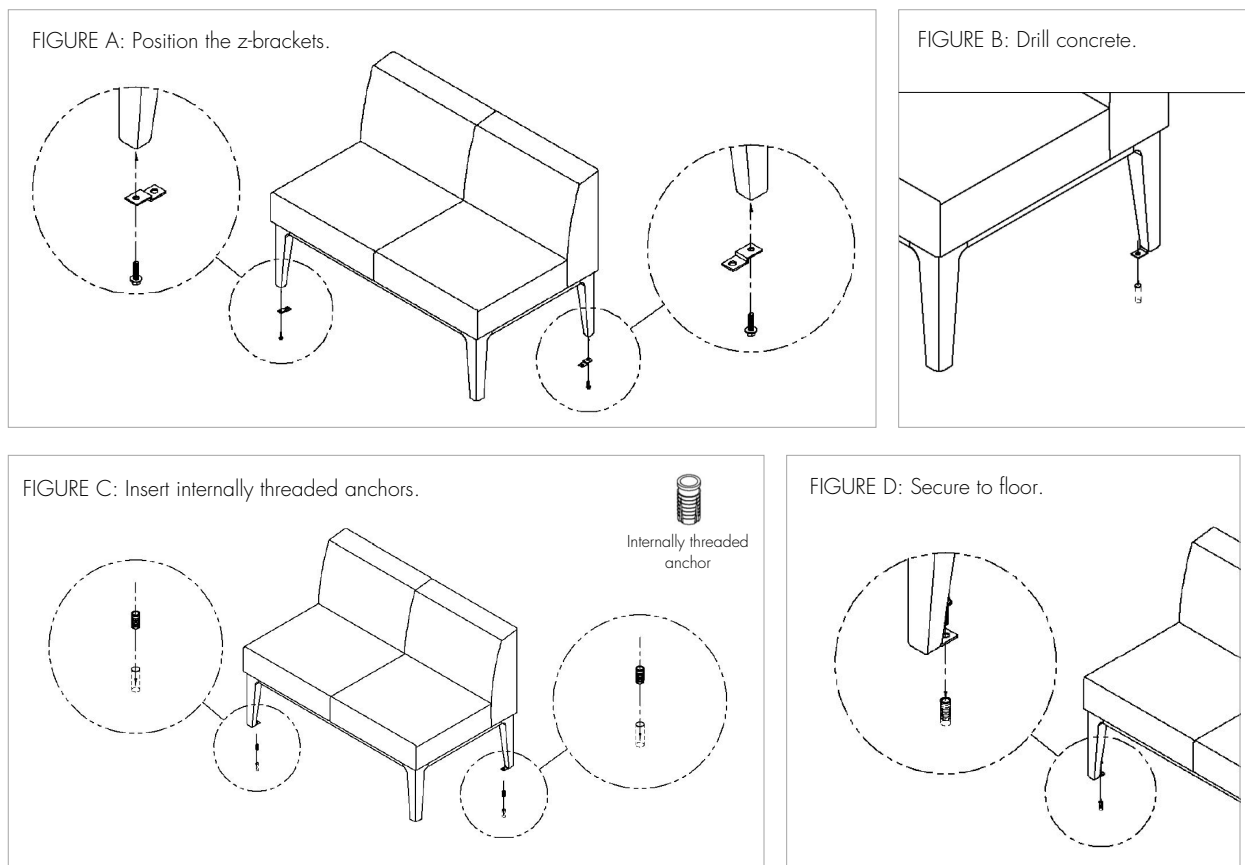
DOMO CONCRETE FLOOR MOUNT ANCHORING INSTRUCTIONS

Step 1: Position the z-bracket under two diagonal legs. Use 1/4"-20 1" hex bolts to attach them to the bottom of the legs, facing inward (Figure A).

Step 2: Place the seating unit in the desired location. Using the holes on the z-brackets, mark each screw location. Use a 1/2" diameter concrete drill bit to make a hole, with a minimum depth of 1-1/4" in the concrete at the marked location (Figure B).

Step 3: Place an internally threaded anchor in each hole and with a hammer, insert them into the floor until it is flush with the floor (Figure C).

Step 4: Align the holes of the z-brackets with the holes drilled into the concrete. Install the 1/4"-20 1-1/4" hex bolts into the internally threaded anchors to secure the unit to the floor (Figure D).



If you require additional assistance, please contact Arcadia Client Services at 800.585.5957.