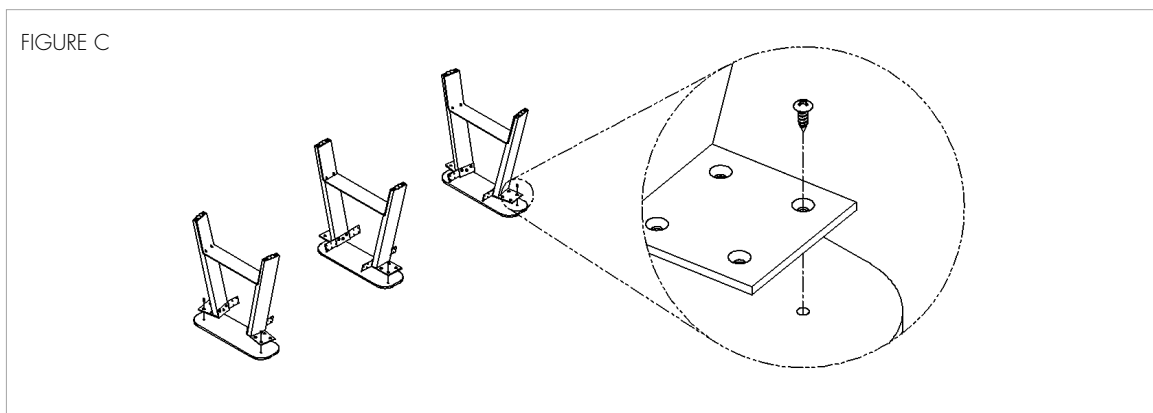
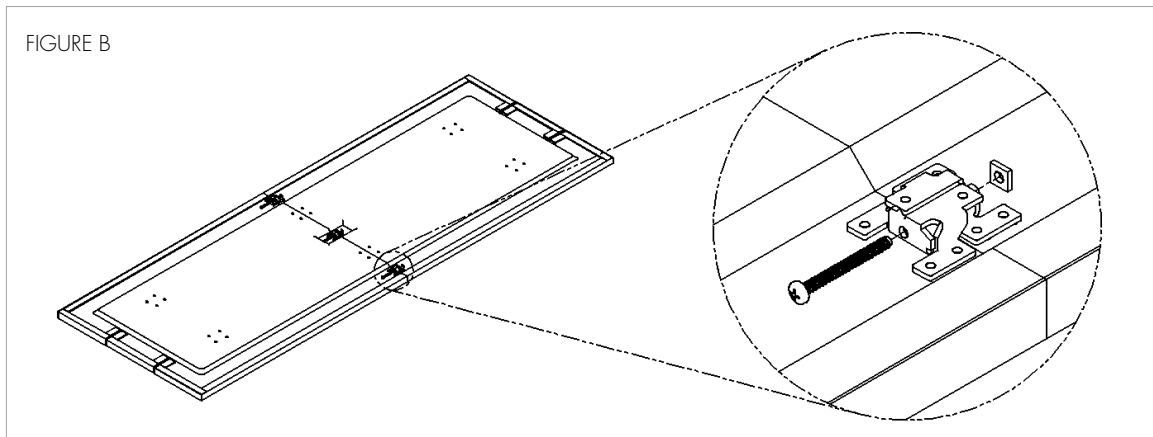
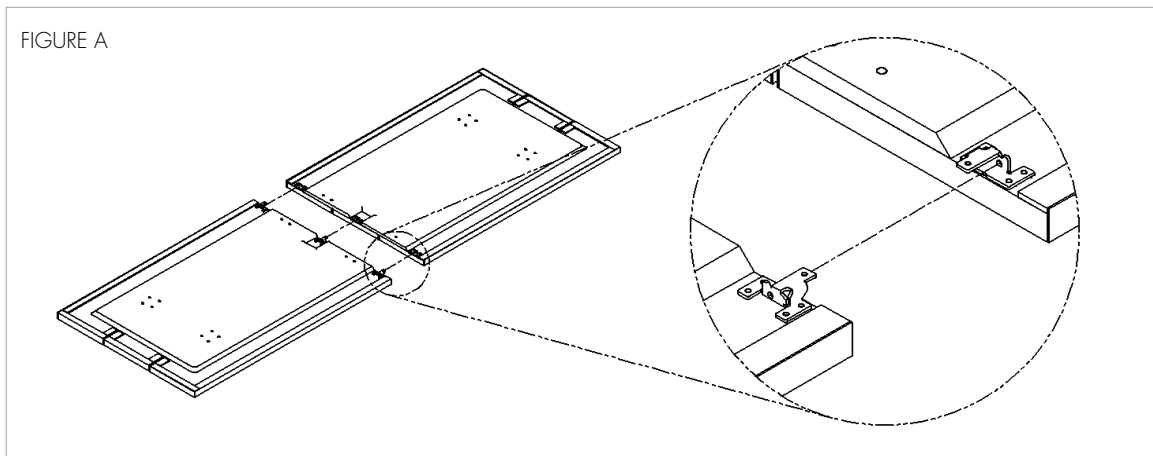


## DELEN 2-PIECE TABLE ASSEMBLY INSTRUCTIONS

Step 1: Lay the tops facing down and align the brackets along the middle of the tops (Figure A).

Step 2: Use the bracket hardware to lock the two tops together (Figure B).

Step 3: Remove the top plates off the bases by removing all the screws (Figure C).

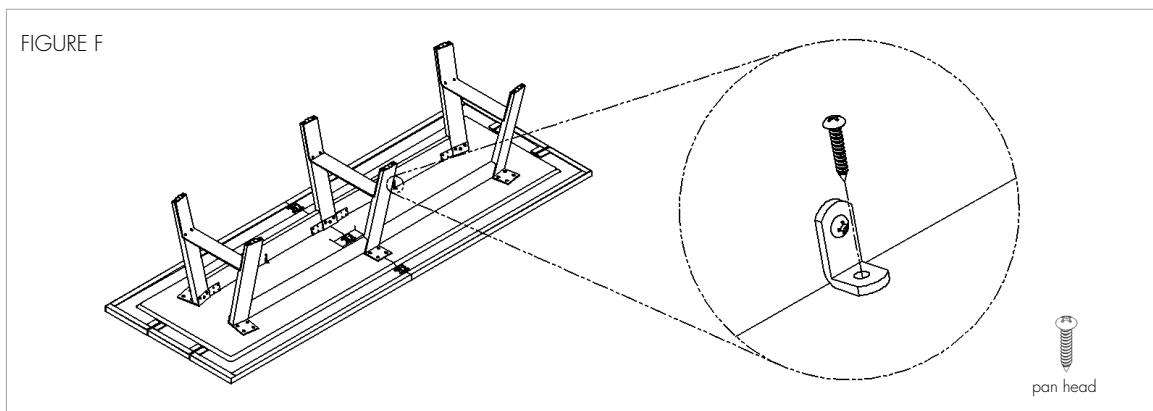
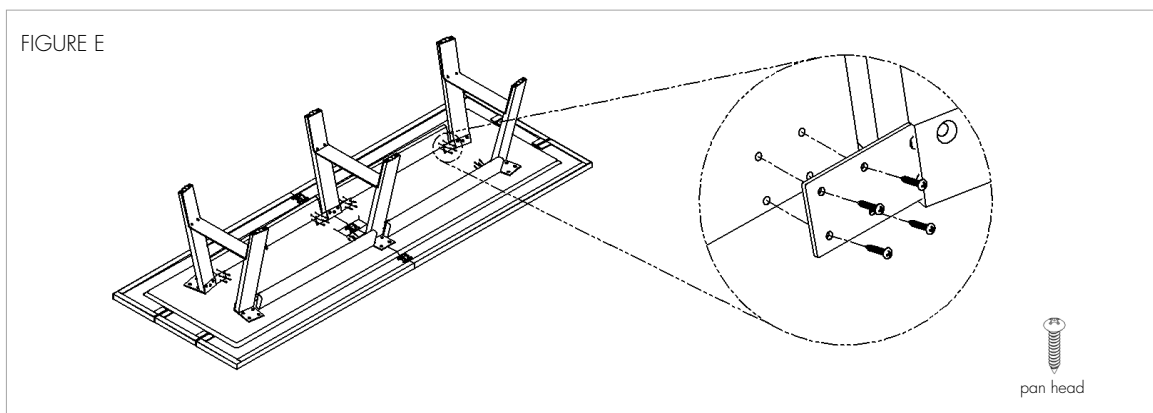
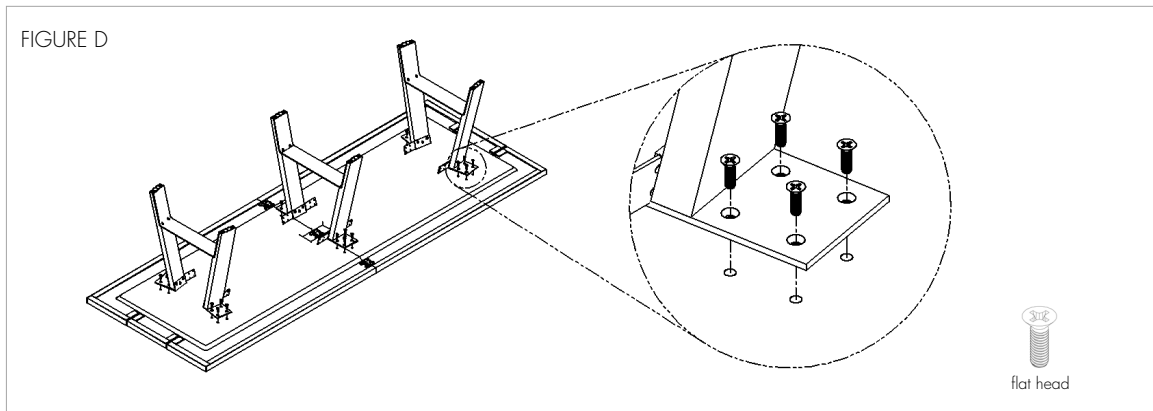


continued next page

Step 4: Place the bases on the table top. Align the top plate holes on the bases to the inserts on the table top. Affix with (24) 5/16-18 x 1" Phillips flat head screws to secure the bases (Figure D).

Step 5: Align the aprons between the bases. Using the apron tabs, fasten together with (32) 8 x .75" pan head wood screws to secure the aprons between the bases (Figure E).

Step 6: Affix (4) 8 x .75" pan head wood screws to secure the apron L-brackets to the table top (Figure F).



If you require additional assistance, please contact Arcadia Client Services at 800.585.5957.