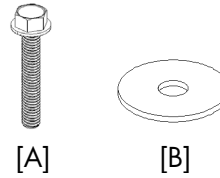


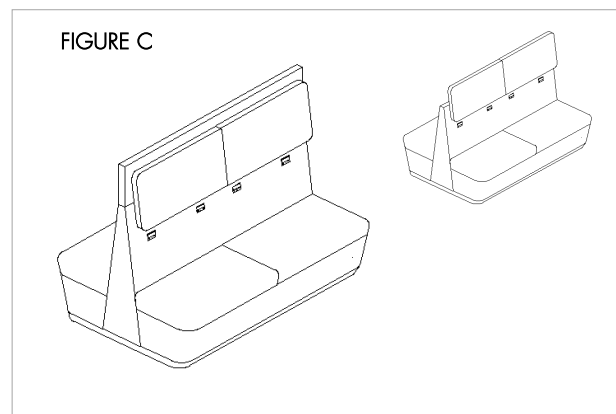
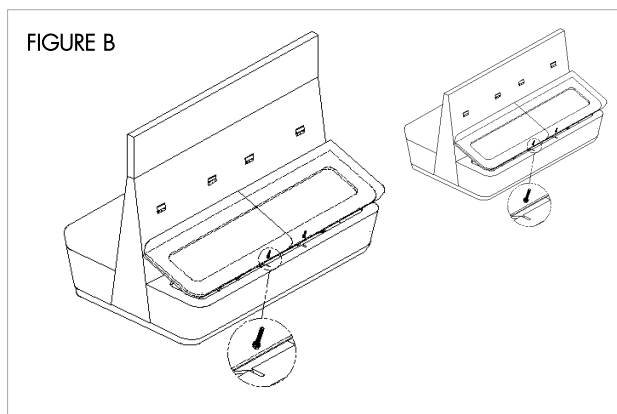
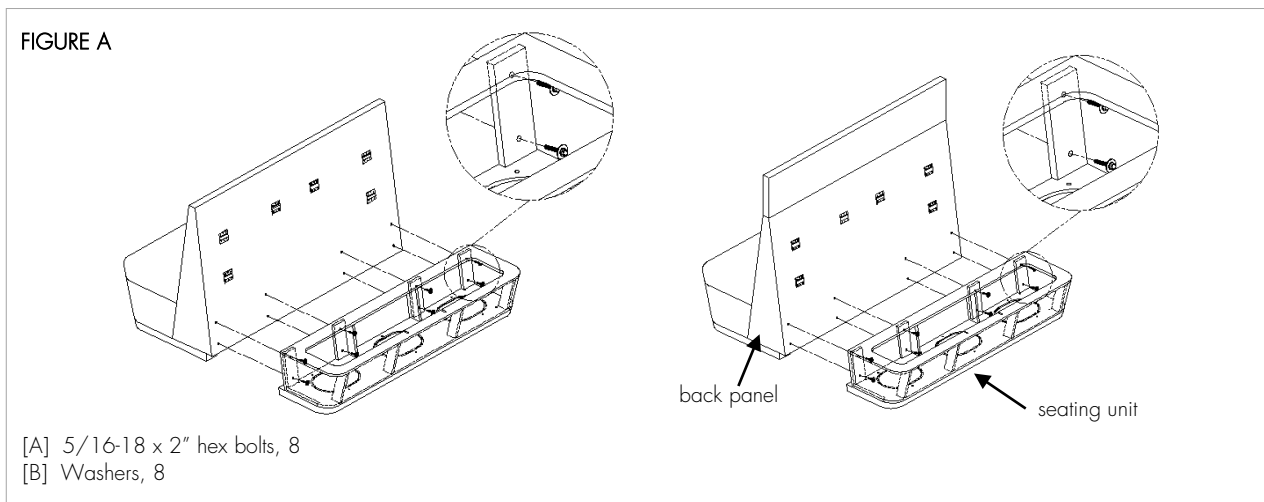
CO-OP ASSEMBLY INSTRUCTIONS – MODELS 6566, 6567, 6568 & 6569

Hardware Included:

- [A] 5/16-18 x 2" hex bolt (8)
- [B] Washer (8)



- Step 1: One of the seating units will already come attached. Secure the loose seating unit to the back panel by affixing the (8) 5/16-18 x 2" hex bolts [A] and washers [B] into the pre-inserted t-nuts, through the inside of the seat (Figure A).
- Step 2: To install the seats, tilt the seat cushion slightly down in front. Locate the two 1/4-20 x 2" hex bolts underneath the seat cushion and slide into the notches on the seat frame. Push the seat cushion down until it is flat (Figure B).
- Step 3: To install the backs, align the z-brackets on the back rest with the z-brackets on the back panel (Figure C). Gently push down until back is positioned above the seat cushion.



If you require additional assistance, please contact Arcadia Client Services at 800.585.5957.