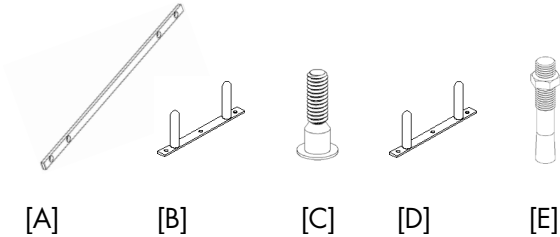


## CO-OP ASSEMBLY INSTRUCTIONS – MODELS 6553

Hardware Included:

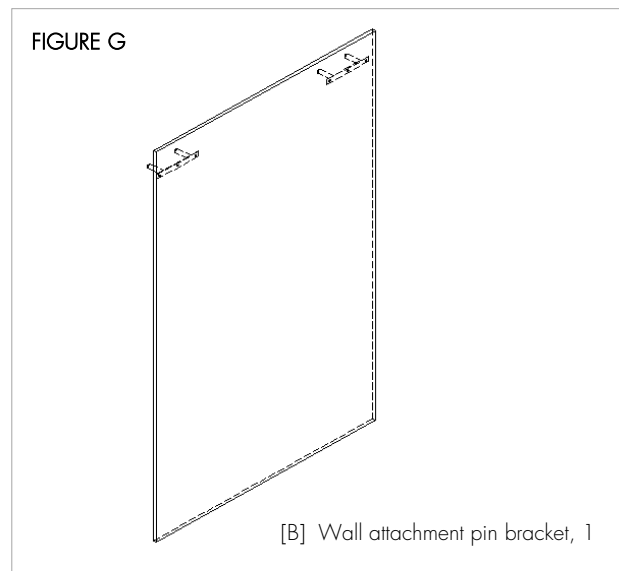
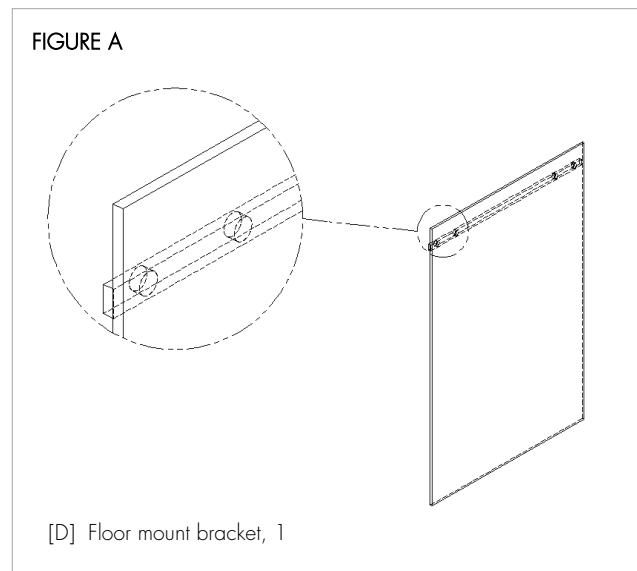
- [A] Wall guide (1)
- [B] Wall attachment pin bracket (2)
- [C] 1/4-20 x .75" flat head decorative screws (8)
- [D] Floor mount bracket (1)
- [E] 3/8 x 5" anchor bolt (1)



**IMPORTANT – HARDWARE IS SPECIFIC FOR THE ASSEMBLY OF EACH COMPONENT. MAKE SURE THE CORRECT ITEMS ARE USED AS DIRECTED AND IDENTIFIED BELOW.**

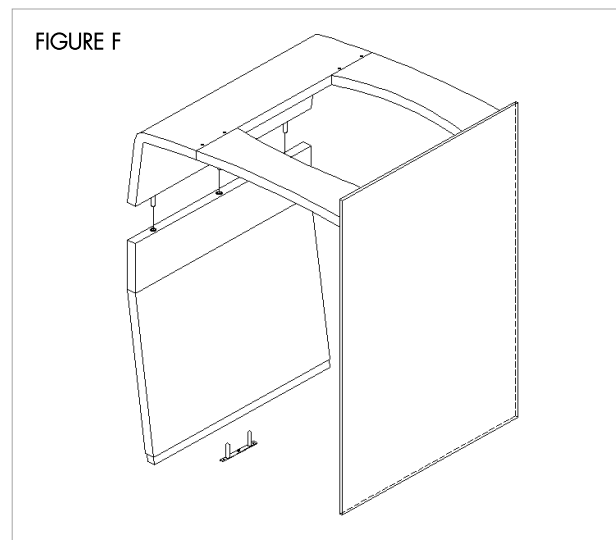
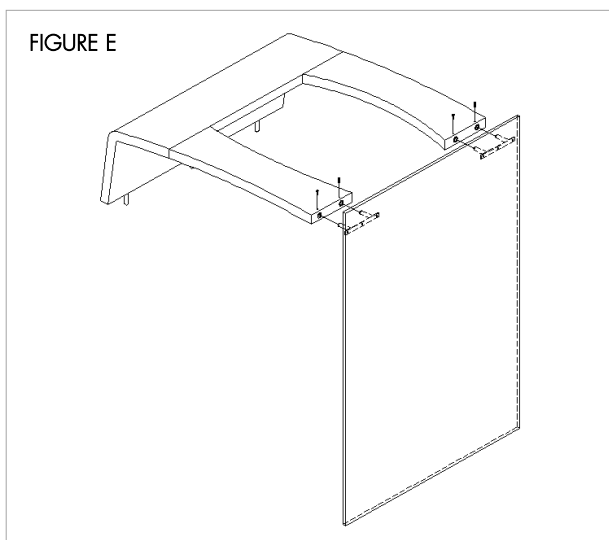
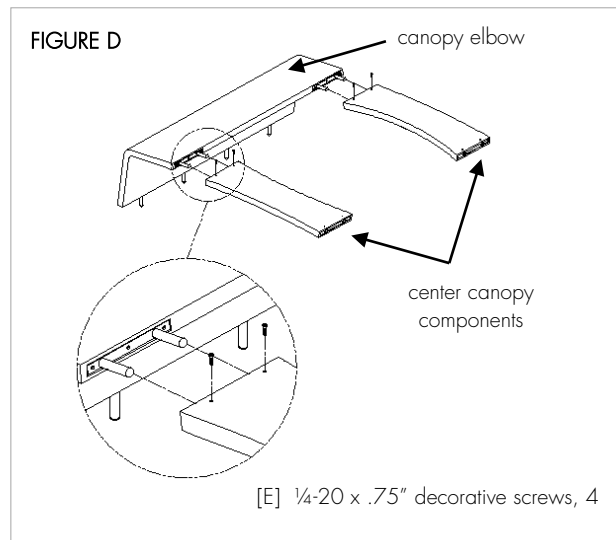
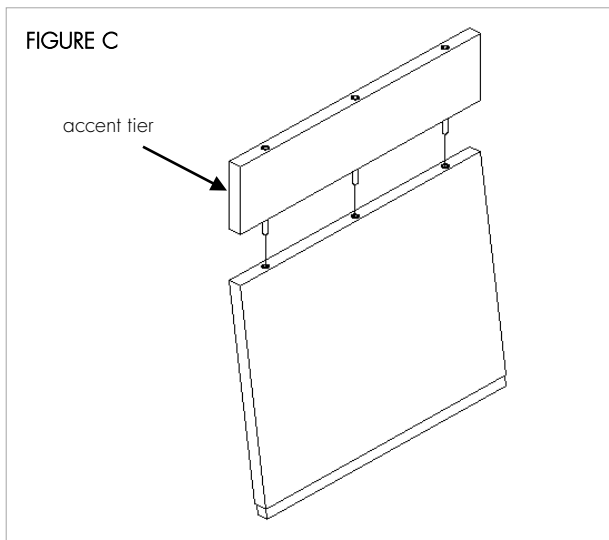
Step 1: Position the wall guide [A] 77.97" from the floor to the center of the guide. Ensure it is level to the floor and drill the four holes through the wall using the four holes on the guide. Secure the floor mount bracket [D] by first placing it 58.15" from the wall to the center of the bracket and use (1) 3/8 x 5" anchor bolt [E] (Figure A). **Two people are recommended for this part of the assembly.**

Step 2: Once the holes have been drilled into the wall, remove the wall guide and place the wall attachment pin brackets [B] over the holes that were just made and properly secure to the wall (Figure B).



continued next page

- Step 3: Align the accent tier's attachment pins with the bushings on the back panel and gently press down until they are flush together (Figure C).
- Step 4: With accent tier and back panel assembled, set them aside and build canopy next. Align the attachment pins on the center canopy pieces with the bushings on the canopy elbow piece. Using a 3/16 Allen key, secure together through the top using (4) 1/4-20" x .75" decorative screws [D], two per side (Figure D).
- Step 5: Once canopy is built, align the canopy with the wall attachment pin brackets. Using a 3/16 Allen key, secure together through the top using (4) 1/4-20 x .75" decorative screws [C] (Figure E).
- Step 6: The plinth on the back panel takes bushings on the bottom to secure in place. Align the bushings on the bottom of the plinth with the floor mounting bracket and gently apply downward force until the plinth on the back panel is flat on the floor. With the accent tier and back panel secured in place, align the canopy's attachment pins with the bushings on the accent tier and gently push down until canopy is flat against the accent tier (Figure E).



If you require additional assistance, please contact Arcadia Client Services at 800.585.5957.