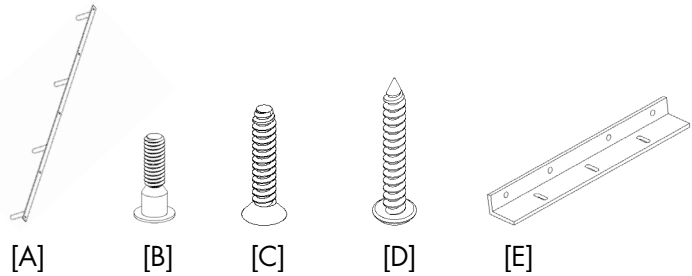


## CO-OP ASSEMBLY INSTRUCTIONS – MODELS 6552-XX & 6554-XX

Hardware Included:

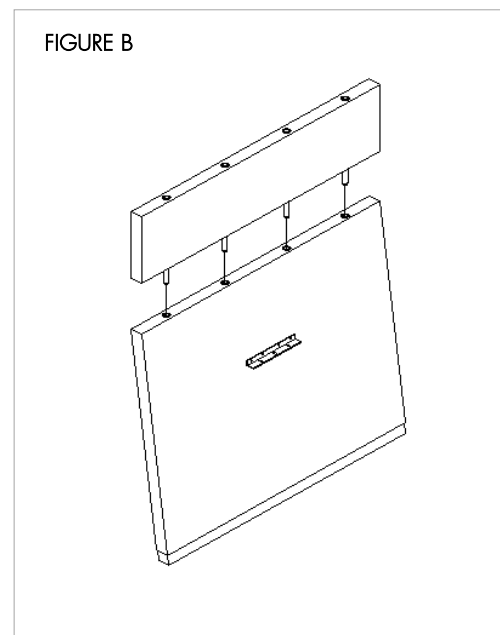
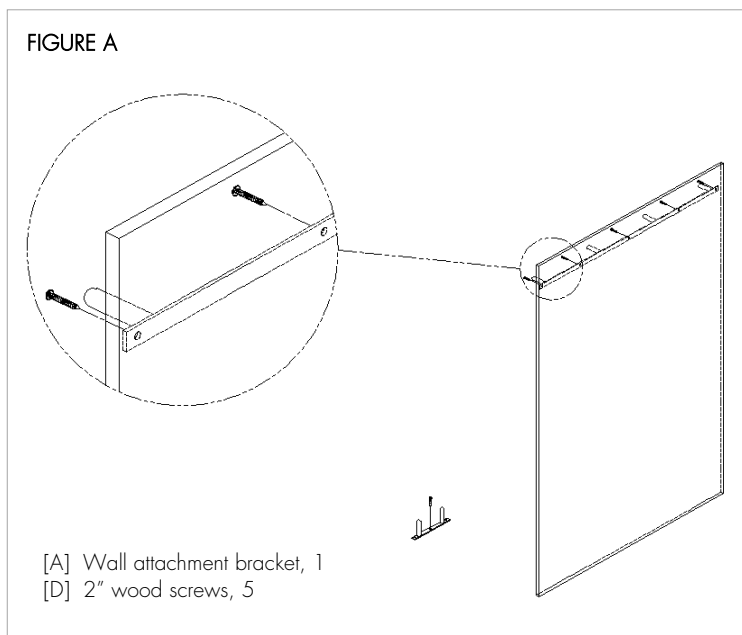
- [A] Wall attachment bracket (1)
- [B] 1/4-20 x .75" flat head decorative screws (4)
- [C] 1/4-20 x .625" flat head screws (6)
- [D] 2" wood screws (5)
- [E] Table bracket (1)



**IMPORTANT – HARDWARE IS SPECIFIC FOR THE ASSEMBLY OF EACH COMPONENT. MAKE SURE THE CORRECT ITEMS ARE USED AS DIRECTED AND IDENTIFIED BELOW.**

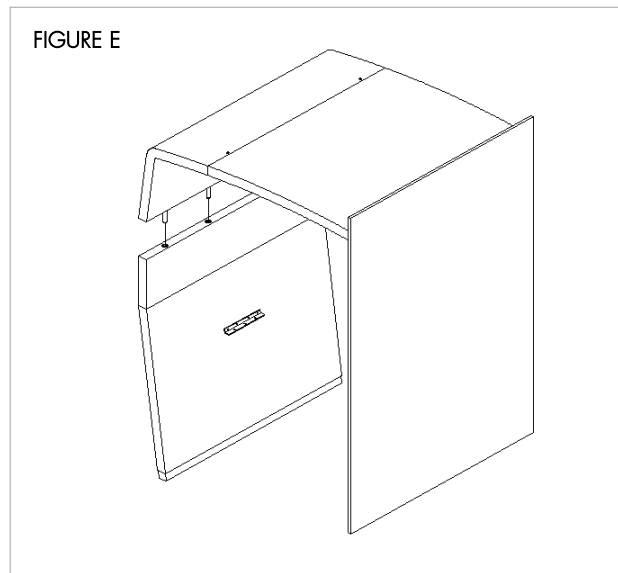
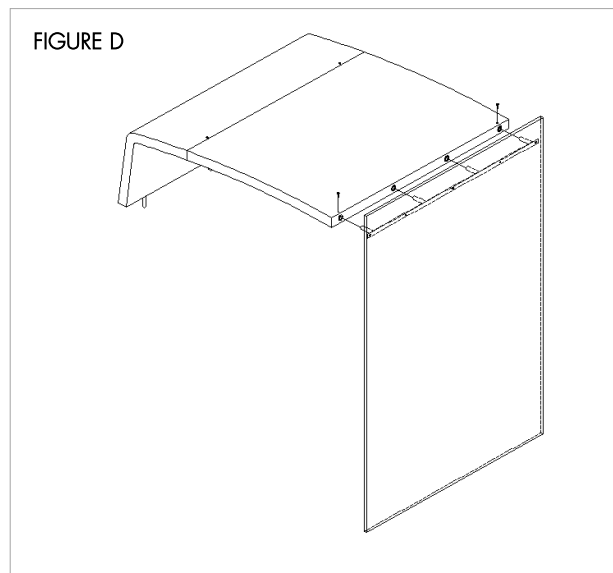
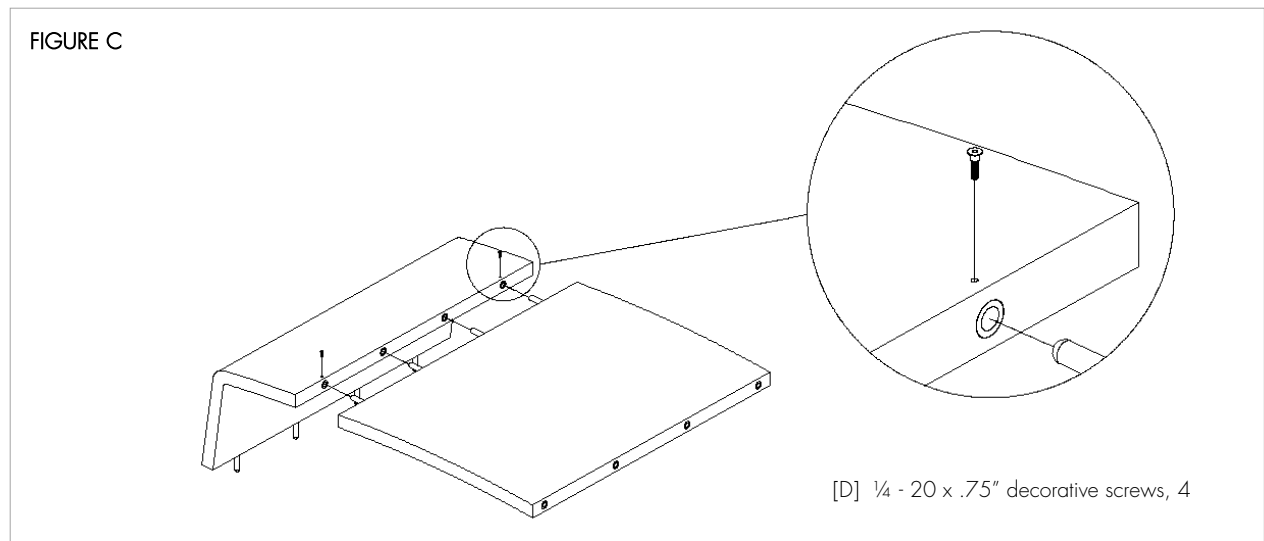
Step 1: Place the wall attachment bracket [A] 77.97" from the floor to the center of the bracket and secure it using (5) 2" wood screws [D]. Make sure bracket is level to the floor (Figure A).

Step 2: Align the accent tier's attachment pins with the bushings on the back panel and gently press down until they are flush together (Figure B).



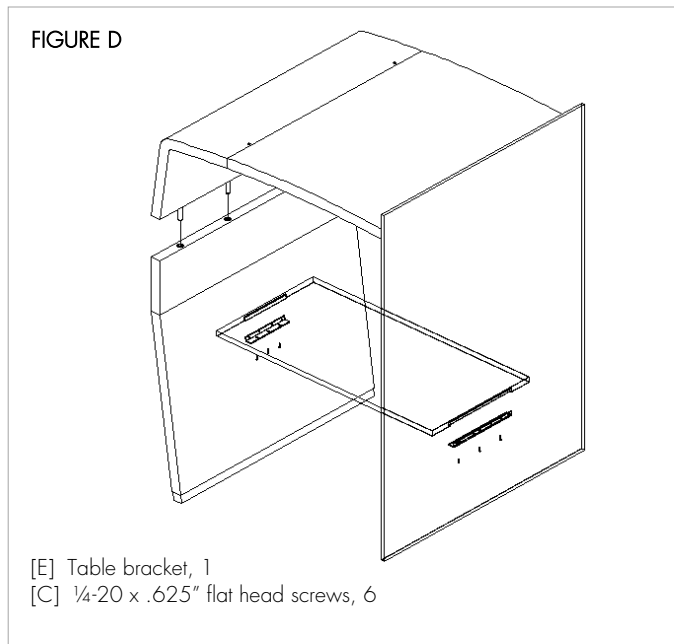
continued next page

- Step 3: With accent tier and back panel assembled, set them aside and build canopy next. Align the attachment pins on the center canopy pieces with the bushings on the canopy elbow piece. Using a 3/16 Allen key, secure together through the top using (2) 1/4-20" x .75" decorative screws [C], two per side (Figure C).
- Step 4: Once canopy is built, align the canopy with the wall attachment pin brackets. Using a 3/16 Allen key, secure together through the top using (2) 1/4-20 x .75" decorative screws [C] (Figure D).
- Step 5: Align the bushings on the accent tier to the canopy attachment pins and gently push down until the canopy is flat against the accent tier (Figure E).



continued next page

Step 6: With unit properly secured, attach the table bracket [E] onto the wall. For 29" height tables, place the table bracket on the wall 28.16" from the floor to the center of the bracket. For 39" height tables, place the table bracket on the wall 38.16" from the floor to the center of the bracket. Properly anchor to the wall. Once, the bracket is secured, place the table on top of both table brackets and affix through the bottom using (6) 1/4-20 x .625" flat head screws [C] (Figure F).



If you require additional assistance, please contact Arcadia Client Services at 800.585.5957.