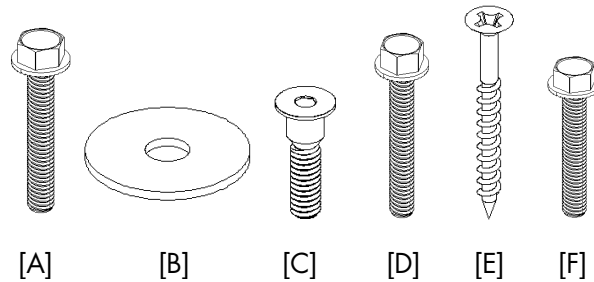


CO-OP ASSEMBLY INSTRUCTIONS – MODEL 6516-65TA

Hardware Included:

- [A] 5/16-18 x 2" hex bolt (10)
- [B] Washer (8)
- [C] 1/4-20 x .75" decorative screws (4)
- [D] 1/4-20 x 2" hex bolt (2)
- [E] 2" wood screw (7)
- [F] 1/4-20 x 1" hex bolt (6)

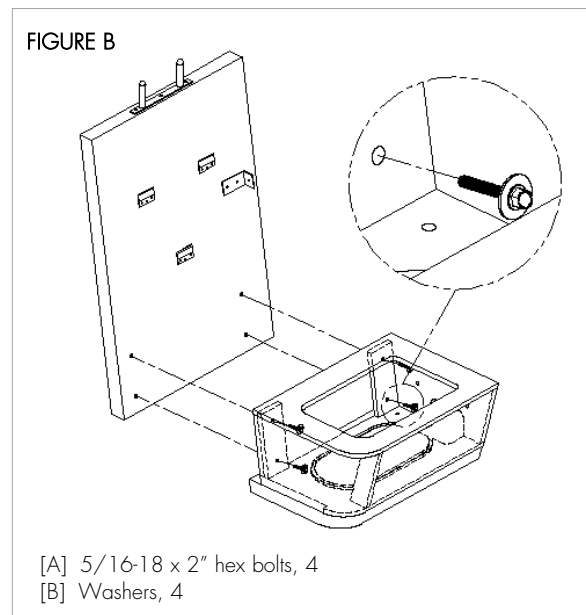
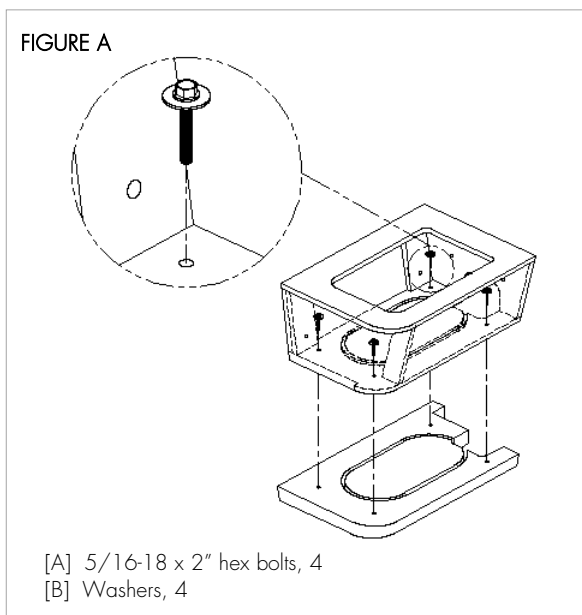


IMPORTANT – HARDWARE IS SPECIFIC FOR THE ASSEMBLY OF EACH COMPONENT. MAKE SURE THE CORRECT ITEMS ARE USED AS DIRECTED AND IDENTIFIED BELOW.

****UNIT REQUIRES TWO PEOPLE FOR INSTALLATION****

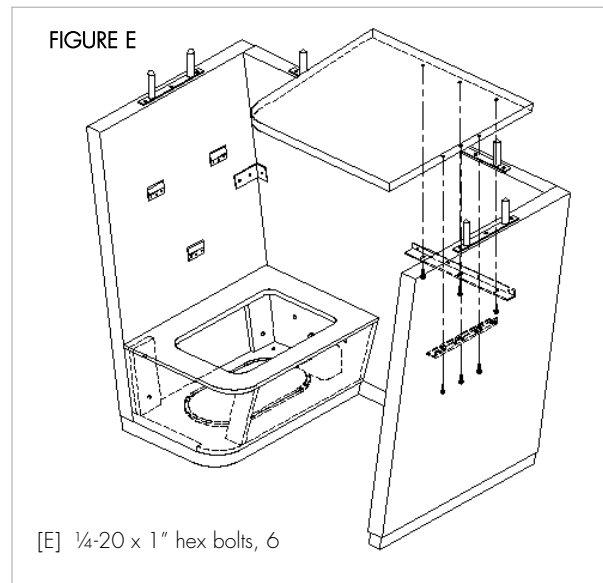
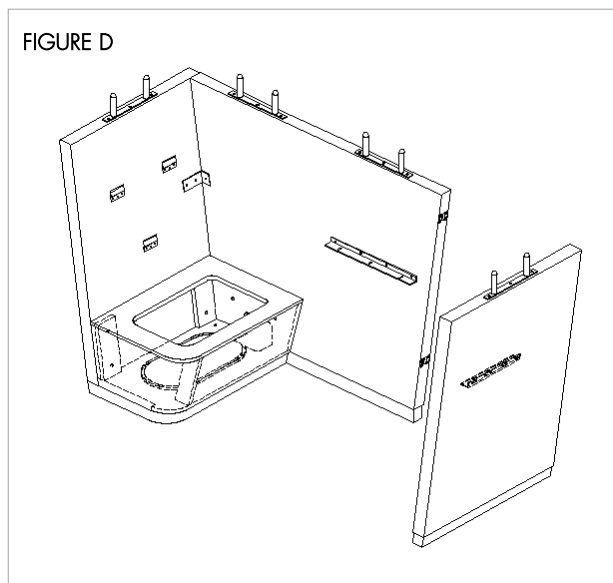
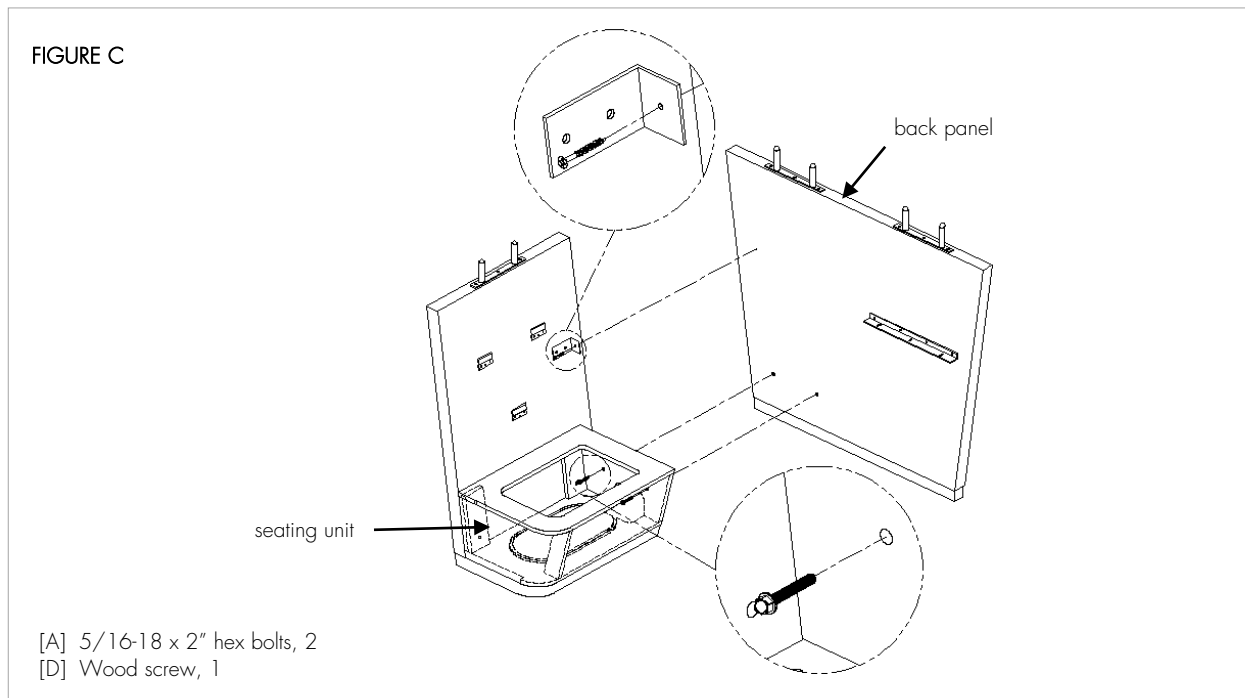
Step 1: Place seating unit on top of the plinth base and properly secure with (4) 5/16-18 x 2" hex bolts [A] and washers [B], threading through the inside of the seating unit into the pre-inserted t-nuts (Figure A).

Step 2: Attach the back panel to the seat by placing it on top of the plinth base and properly securing with (4) 5/16-18 x 2" hex bolts [A] and washers [B], into the pre-inserted t-nuts (Figure B).



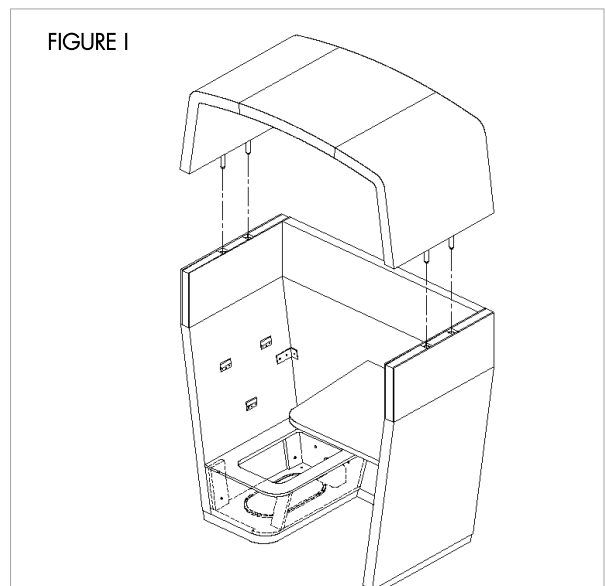
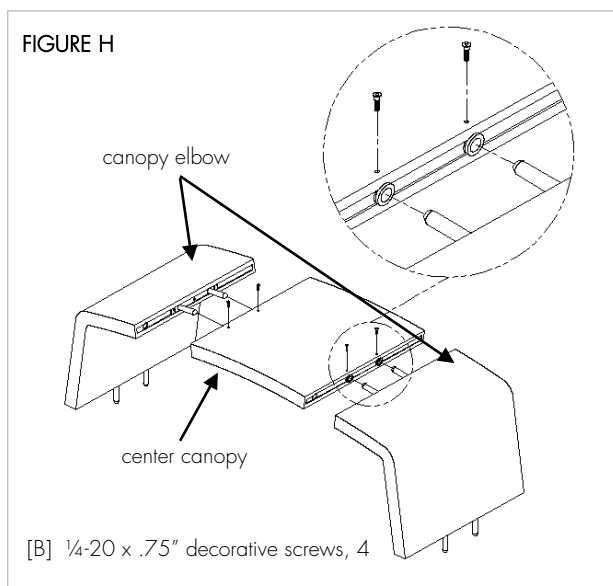
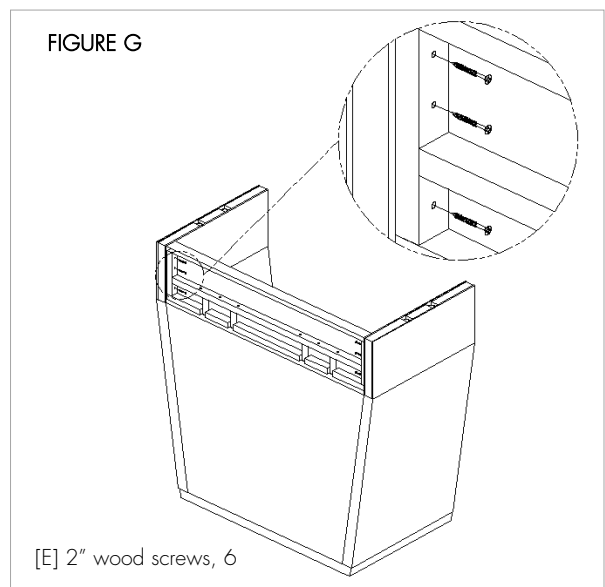
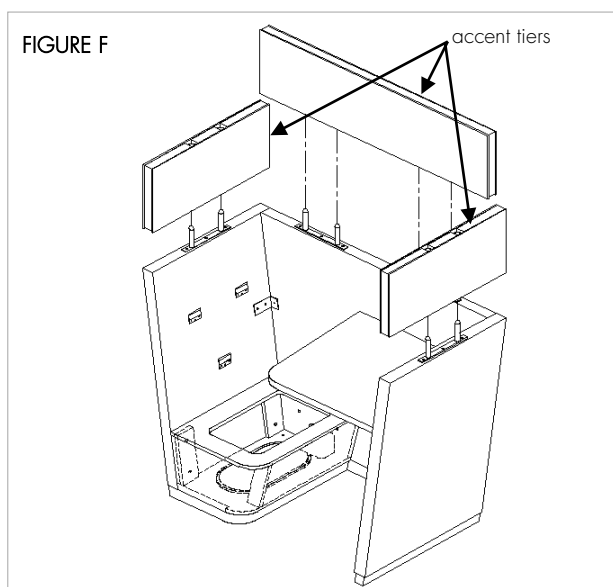
continued on next page

- Step 3: Once the seating unit is assembled, place the back panel next to the seating unit and align the holes on the bottom. Affix together using (2) 5/16-18 x 2" hex bolts [A], threaded from inside the seat. Secure the top portion of the back panel with a wood screw [E] drilled through the metal L-bracket (Figure C).
- Step 4: Once the back panel and seating units have been properly secured, align the side panel to the rest of the unit and slide it into the wing brackets on the side (Figure D).
- Step 5: While the side panel is being held in place, lay the table on top of the L-bracket and properly secure it using (6) 1/4-20 x 1" hex bolts [F], through the bottom of the table (Figure E).



continued on next page

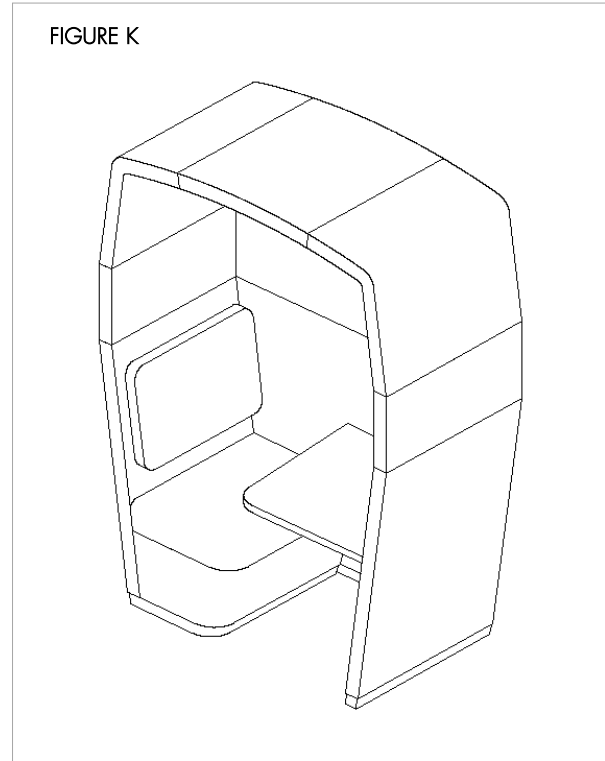
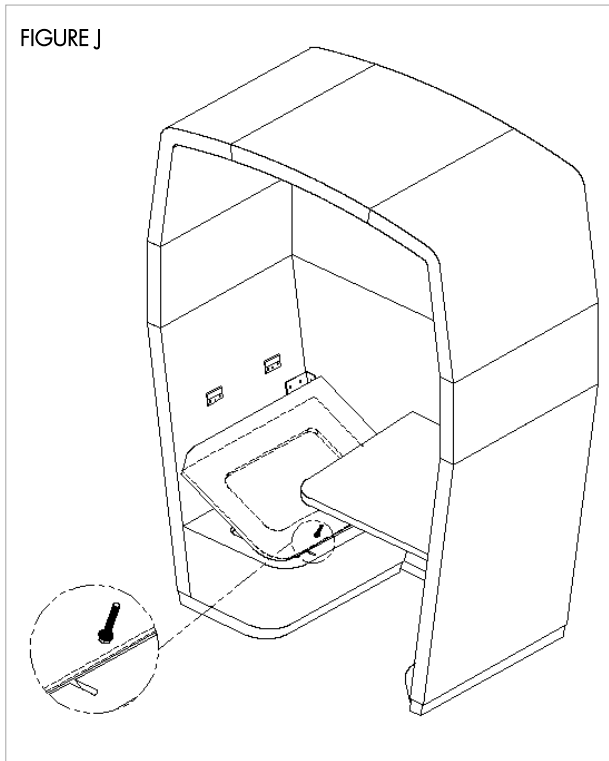
- Step 6: With the table and side panel properly secured to the rest of the unit. Align the small accent tier bushings to the top of the seating unit attachment pins and gently push down to secure. Repeat the same process to install the long accent tier (Figure F).
- Step 7: Once the accent tiers have been assembled, properly secure them together with (6) 2" wood screws [E], three per side, through the inside of the long accent tier (Figure G).
- Step 8: Assemble canopy next. Insert the attachment pins from the canopy elbows into the center canopy bushings. Using a 3/16 Allen key, secure together through the top using (4) 1/4-20 x .75" decorative screws [B], two per side (Figure H).
- Step 9: Once the canopy is assembled, affix to the rest of the unit by inserting the canopy attachment pins to the accent tier bushings. Gently push down until canopy is resting on top of the accent tiers (Figure I).



continued next page

Step 10: To install the seats, tilt the seat slightly upward making sure the 1/4-20 x 2" hex bolts underneath the seat cushion slide into the notches. Push the seat cushion down until it is flat against the seating unit (Figure J).

Step 11: To install the backs, align the z-brackets on the back rest with the z-brackets on the side panel and seating unit. Gently push down until the back is flat on the top of the seat (Figure K).



If you require additional assistance, please contact Arcadia Client Services at 800.585.5957.