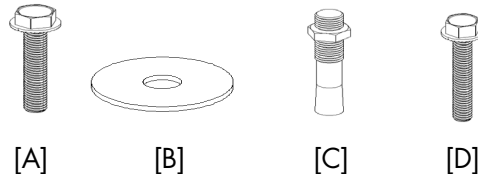


CO-OP ASSEMBLY INSTRUCTIONS – MODELS 6506 & 6508

Hardware included:

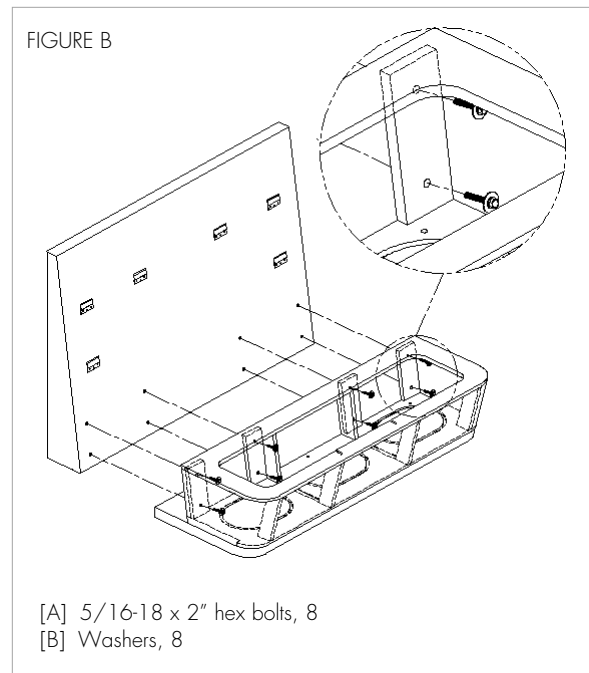
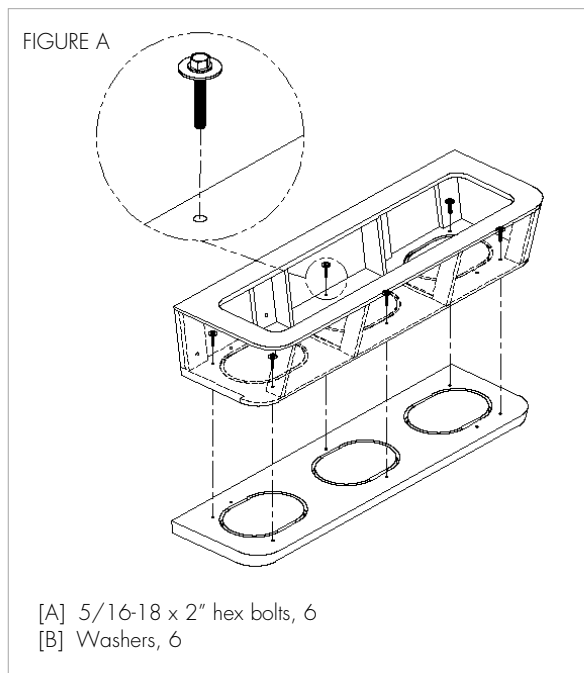
- [A] 5/16-18 x 2" hex bolt (14)
- [B] Washer (14)
- [C] 3/8 x 5" anchor bolts (2)
- [D] 1/4-20 x 2" hex bolt (2)



IMPORTANT – HARDWARE IS SPECIFIC FOR THE ASSEMBLY OF EACH COMPONENT. MAKE SURE THE CORRECT ITEMS ARE USED AS DIRECTED AND IDENTIFIED BELOW.

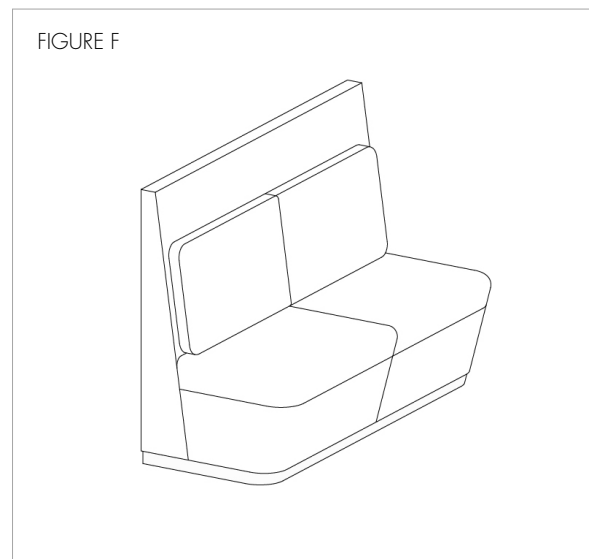
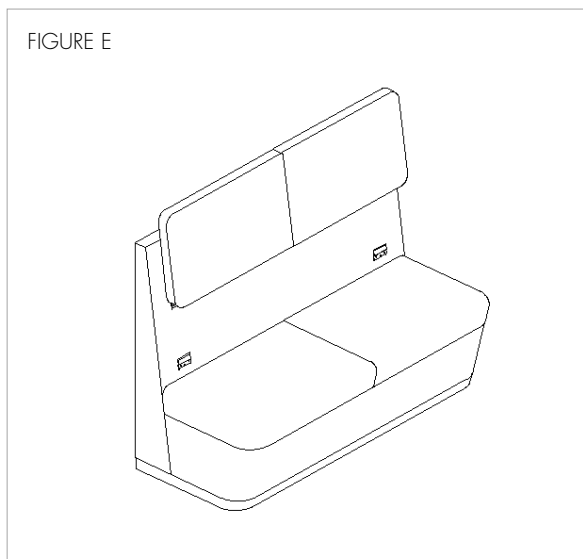
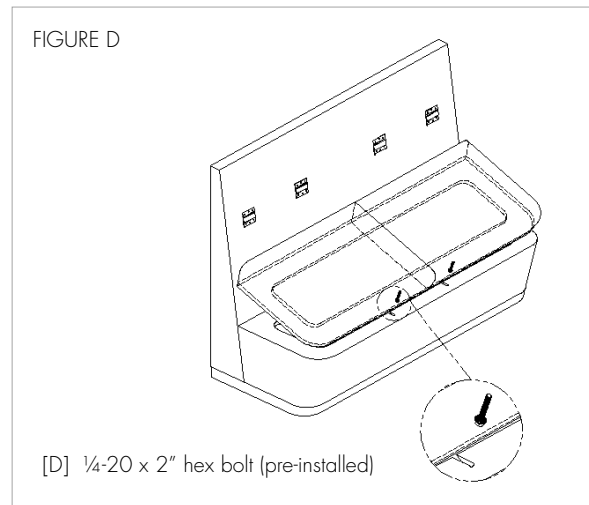
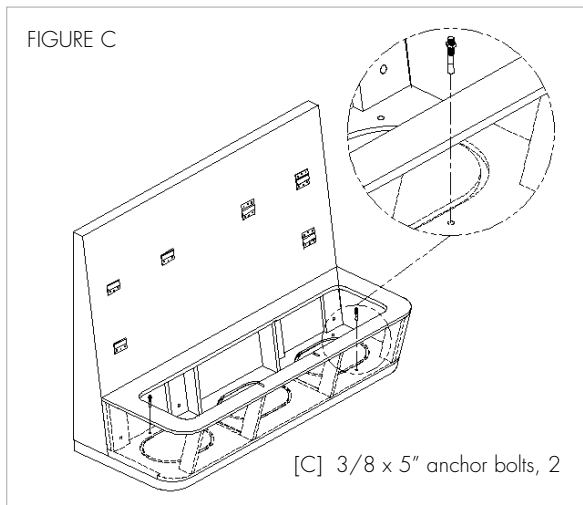
Step 1: Place the seating unit on top of the plinth base and properly secure it using (6) 5/16-18 x 2" hex bolts [A] and washers [B], threading through the inside of the seating unit into the pre-inserted t-nuts (Figure A).

Step 2: Attach the back panel to the seat by placing it on top of the plinth base. Properly secure using (8) 5/16-18 x 2" hex bolts [A] and washers [B] (Figure B).



continued next page

- Step 3: Install anchor bolts [C] by first placing them in the two pre-drilled holes from the inside of the seat, then properly secure Co-op unit to the floor (Figure C). If using sandbags, simply place them within the seating unit (150 lbs.).
- Step 4: To install the seats, tilt the seat cushion slightly down in front. Locate the two 1/4-20 x 2" hex bolts underneath the seat cushion and slide into the notches on the seat frame. Push the seat cushion down until it is flat (Figure D).
- Step 5: To install the backs, align the z-brackets on the back rest with the z-brackets on the panel (Figure E). Gently push down until back is positioned above the seat cushion.
- Step 6: To install the accent tier, position the accent tier above the seating unit and align the bushings to the attachment pins. Once aligned, gently push down until the accent tier is flush with the seating unit (Figure F).



If you require additional assistance, please contact Arcadia Client Services at 800.585.5957.