

AVELINA CART DETACHMENT INSTRUCTIONS

- Step 1: Once the table unit is unwrapped of all shipping blankets/packing materials, remove the two vertical panels which are held together by magnets. No tools are required for this step. Grab the finger hole at the bottom of the panel and lift outward to remove panel (Figure A).
- Step 2: Once the panels are removed, this exposes the connection points to which the Avelina table unit is secured to the wood cart. There are four "L" brackets holding the table and cart together, two on each side (Figure B).
- Step 3: Remove all screws and the "L" brackets from vertical metal posts and from the wood cart. Note: Wood cart "L" brackets and screws can be discarded or disposed of appropriately.
- Step 4: Using 4 or more people, safely lift the table off the wood cart and place in desired location (Figure C).
- Step 5: Re-attach the panels in their original position (Figure D).

FIGURE A: Remove panels to expose brackets.

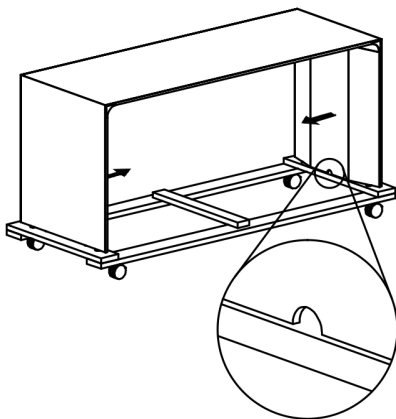


FIGURE B: Remove screws and brackets.

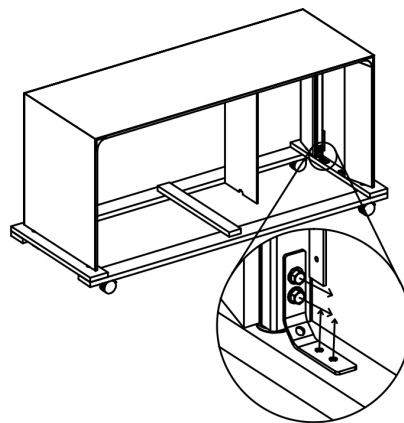


FIGURE C: Remove table from cart.

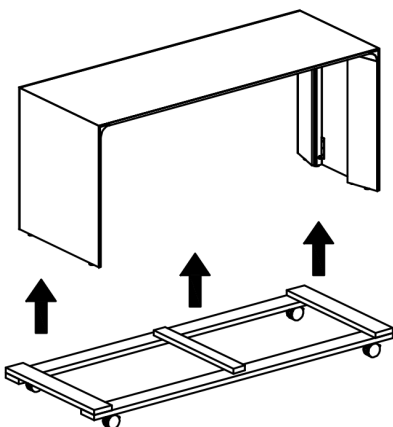
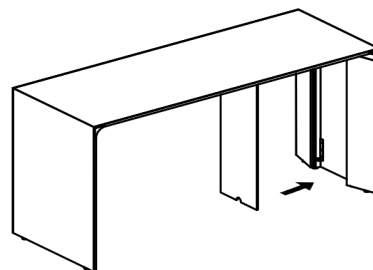


FIGURE D: Re-attach panels.



If you require additional assistance, please contact Arcadia Client Services at 800.585.5957.