

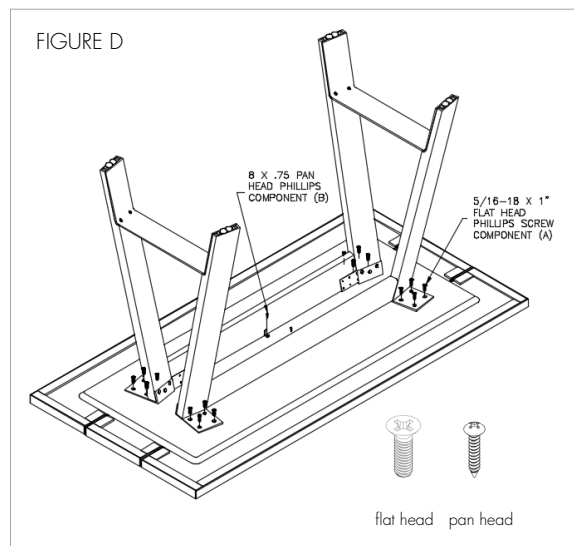
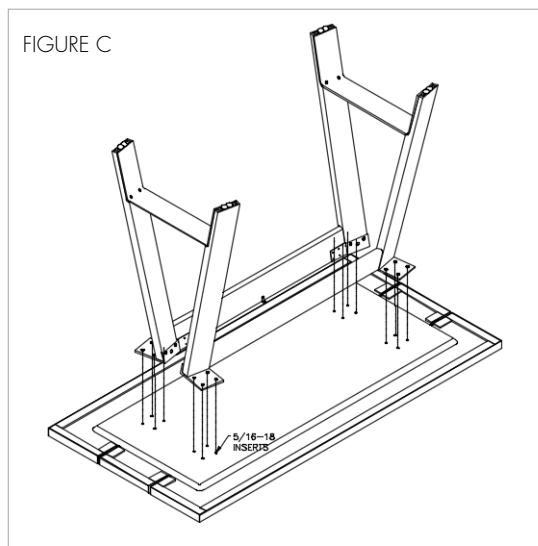
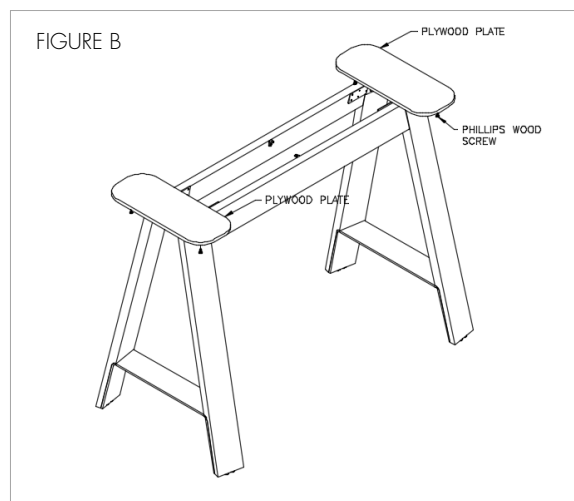
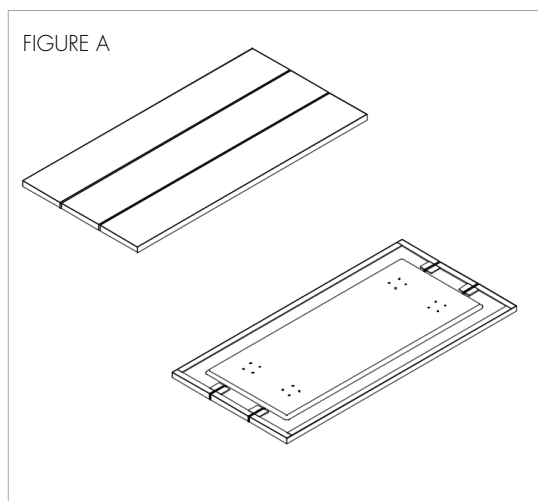
# DELEN TABLE ASSEMBLY INSTRUCTIONS

Step 1: Flip over table top (Figure A).

Step 2: Remove plywood plates from frame assembly by removing four (4) Phillips wood screws (Figure B).

Step 3: Flip over the base assembly and place it over the table top. Align the 5/16-18 inserts on the top with the base (Figure C).

Step 4: Affix the (16) 5/16-18 x 1" Phillips flat head screws, together with the (2) 8 x .75" Phillips pan head screws, to complete the assembly (Figure D).



If you require additional assistance, please contact Arcadia Client Services at 800.585.5957.