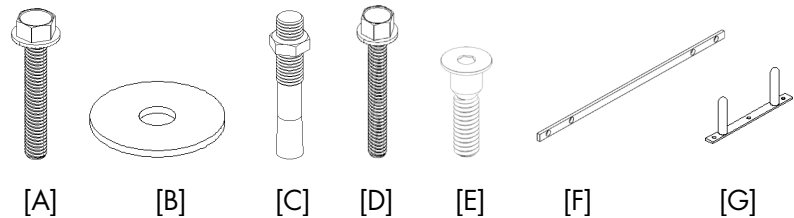


CO-OP ASSEMBLY INSTRUCTIONS – MODELS 6532 & 6534

Hardware Included:

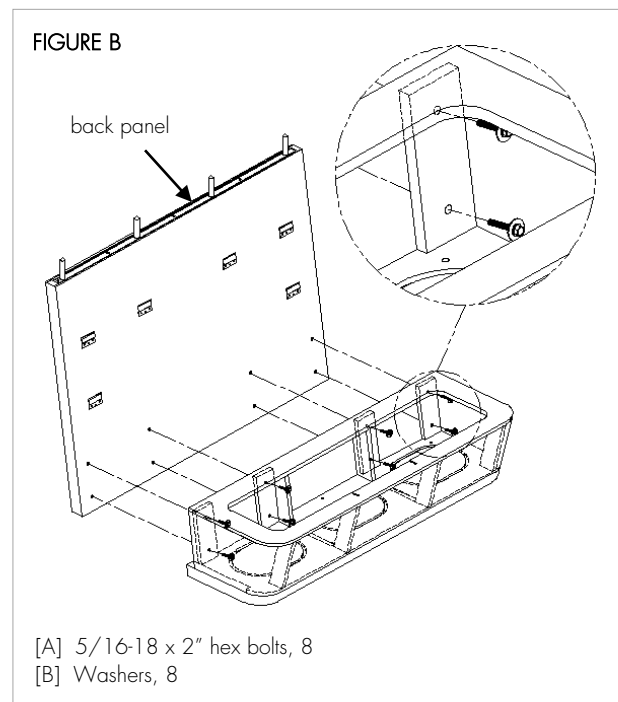
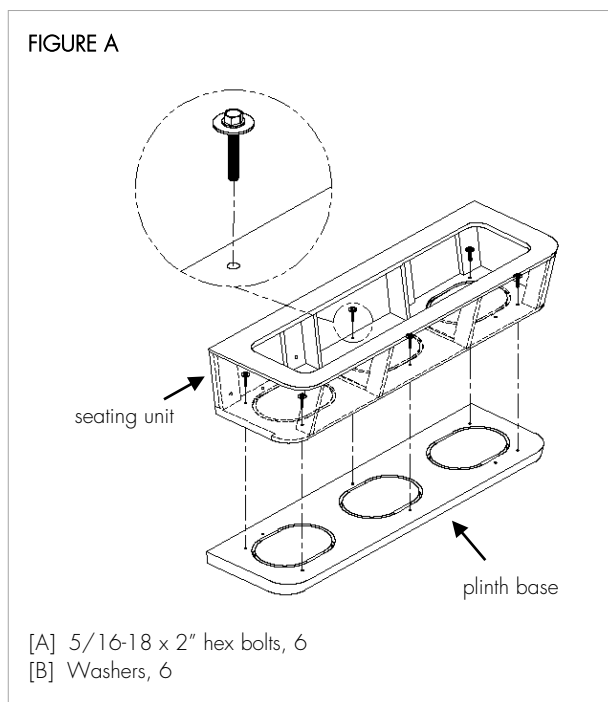
- [A] 5/16-18 x 2" hex bolt (28)
- [B] Washer (28)
- [C] Anchor bolts (4)
- [D] 1/4-20 x 2" hex bolt (4)
- [E] 1/4-20 x .75" decorative screws (8)
- [F] Wall guide (1)
- [G] Wall attachment pin brackets



IMPORTANT – HARDWARE IS SPECIFIC FOR THE ASSEMBLY OF EACH COMPONENT. MAKE SURE THE CORRECT ITEMS ARE USED AS DIRECTED AND IDENTIFIED BELOW.

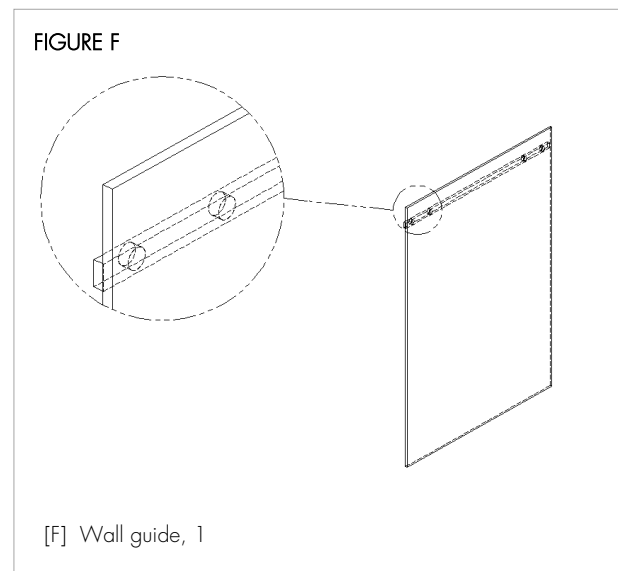
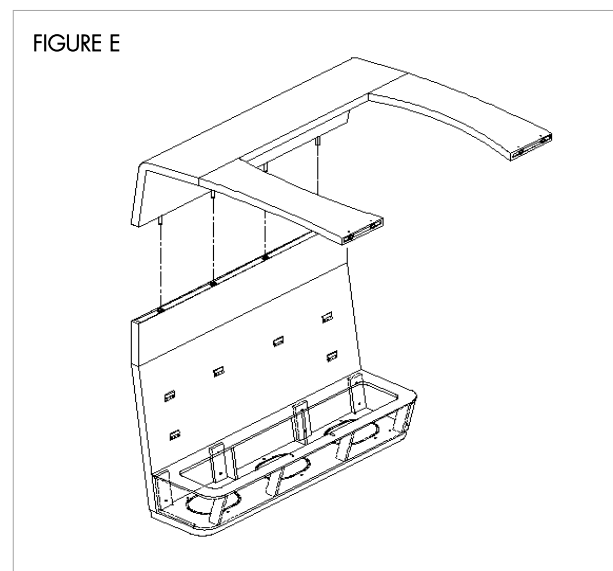
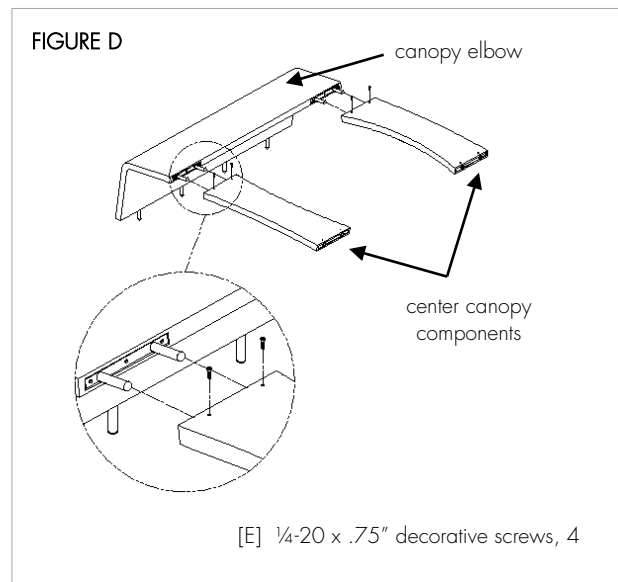
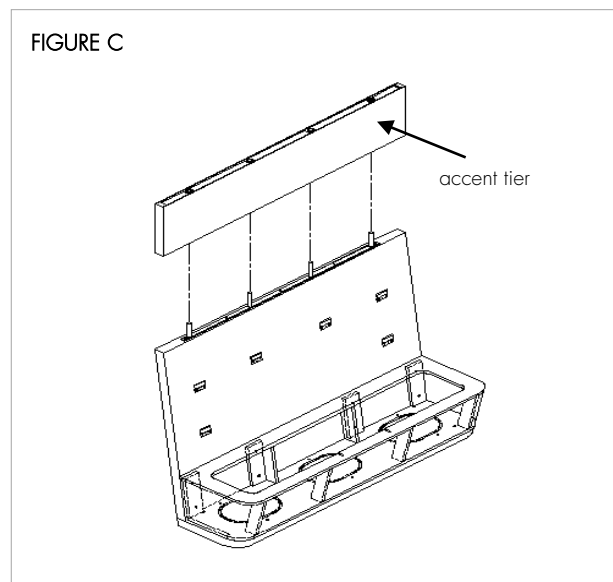
Step 1: Place the seating unit on top of the plinth base. Using (6) 5/16-18 x 2" hex bolts [A] and washers [B], secure together by threading hardware through the inside of the seat into the pre-inserted t-nuts (Figure A).

Step 2: Attach the back panel to the seat by placing it on top of the plinth base. Using (8) 5/16-18 x 2" hex bolts [A] and washers [B], secure together by threading hardware through the inside of the seat into the pre-inserted t-nuts on the back panel (Figure B).



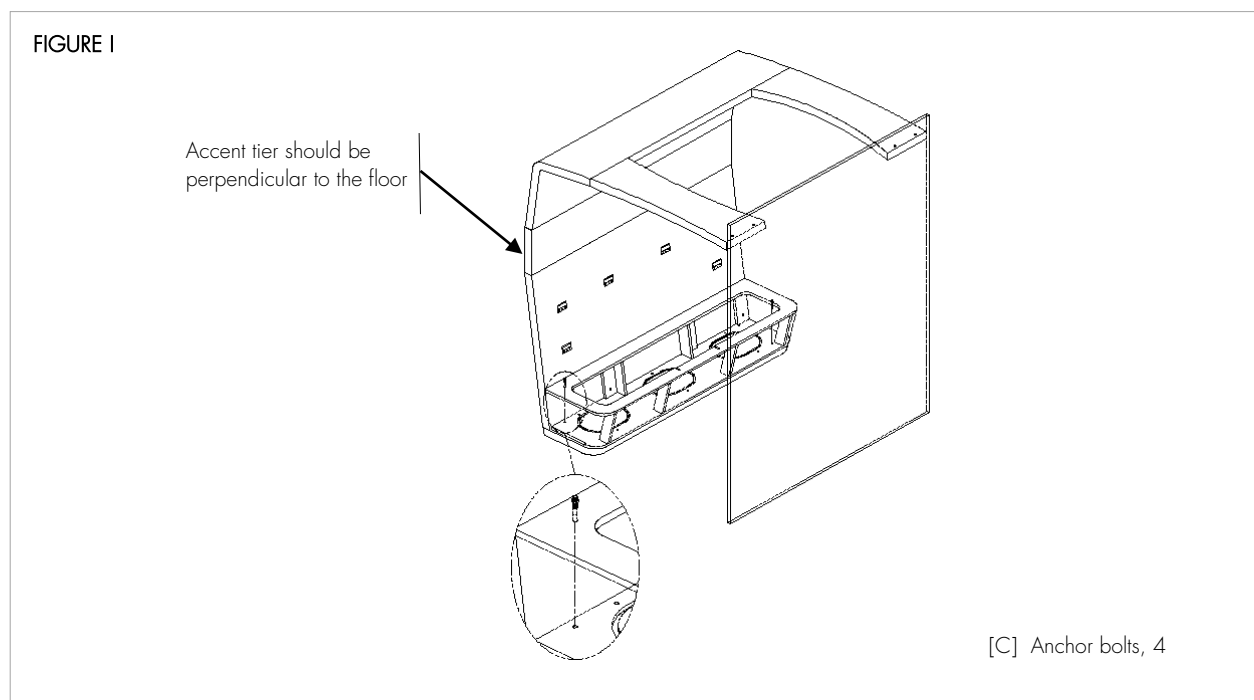
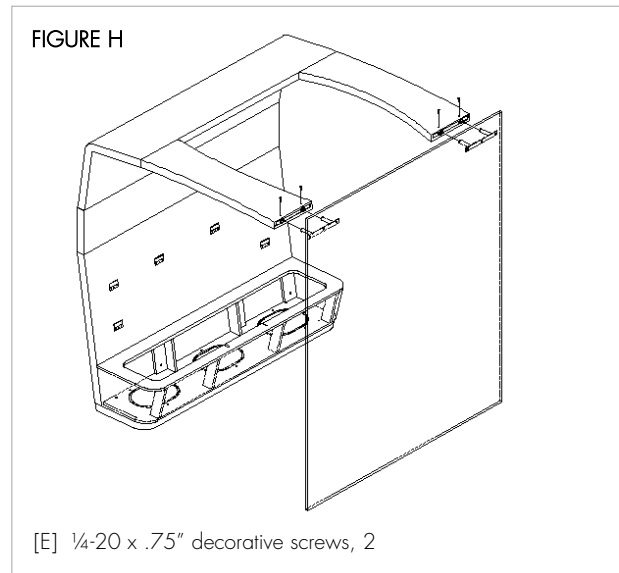
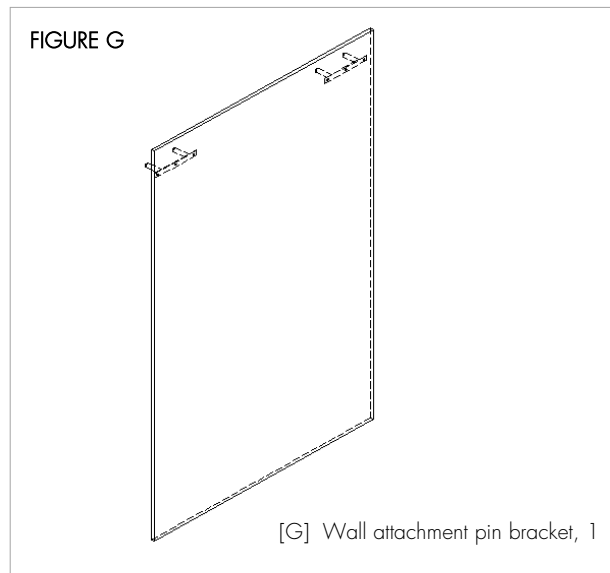
continued next page

- Step 3: Align the accent tier attachment pins with the bushings on the back panel and gently push down until the accent tier is flat against the back panel (Figure C).
- Step 4: With accent tier properly secured, build canopy next. Start by inserting the attachment pins from the canopy elbows into the center canopy components' bushings. Using a 3/16 Allen key, secure together through the top using (4) 1/4-20" x .75" decorative screws [E], two per side (Figure D).
- Step 5: Once the canopy is fully built and secured, align the attachment pins on the canopy to the bushings on top of the accent tier and gently push down until canopy is flat against the accent tiers (Figure E).
- Step 6: With the seating unit completed and properly secured, set it to the side and locate the wall guide [F]. The wall guide needs to be 77.97" from the floor to the center of the guide. Ensure it is level to the floor and drill the four holes (size depends on the wall type and attaching hardware provided by customer) through the wall using the four holes on the guide (Figure G). **Two people are recommended for this part of the assembly.**



continued next page

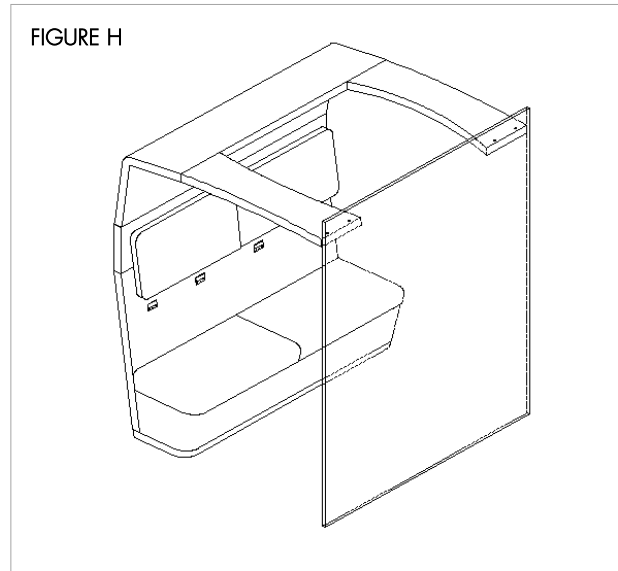
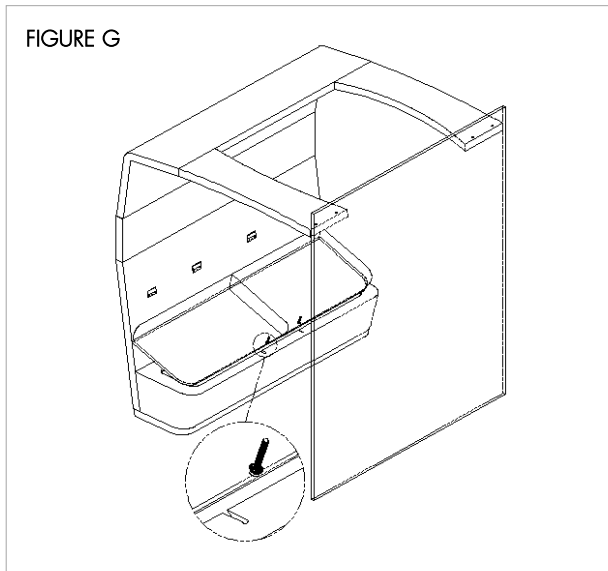
- Step 7: Once the holes have been drilled into the wall, remove the wall guide and place the wall attachment pin bracket [G] over the holes that were made and properly secure to the wall (Figure G).
- Step 8: With the attachment pin brackets properly secured, grab the seating unit and align the canopy's bushings to the attachment pins on the wall. Using a 3/16 Allen key, secure together through the top using (2) 1/4-20 x .75" decorative screws [E] (Figure H).
- Step 9: Before securing the unit to the floor, make sure the accent tiers are perpendicular to the floor. Once confirmed, use the predrilled holes underneath the seating unit as guides for drilling into the floor. Affix (2) 3/8 x 5" anchor bolts [C]. If using sandbags, place inside seating units (150 lbs.) (Figure I).



continued next page

Step 10: To install the seats, tilt the seat cushion slightly down in front. Locate the two 1/4-20 x 2" hex bolts underneath the seat cushion and slide into the notches on the seat frame while pushing down until it is flat (Figure J).

Step 11: To install the backs, align the z-brackets on the back rest with the z-brackets on the side panel and seating unit (Figure H). Gently push down until back is positioned above the seat cushion.



If you require additional assistance, please contact Arcadia Client Services at 800.585.5957.